

CPS LED LIGHTING

Applications:

- Offices
- Hallways
- Multipurpose Rooms
- Conference Rooms

Tunable Troffer Retrofit Kit



The Tunable Troffer Retrofit Kit is a perfect selection for a discreet but effective lighting solution. The wattage is also tunable, allowing for customization.

With a recessed design and a frosted lens, this fixture holds a large amount of appeal both visually and functionally.

ORDER INFORMATION

SERIES	LENGTH (FT)	WATTAGE (XXW) 2x2-22W/28W/35W 2x4-28W/35W/45W	VOLTAGE UL = 100-277V	COLOR TEMP (CCT) XX=3500K, 4000K
CPS-TTRK-	2x2	XXW-	UL-	XX
	2x4	XXW-		XX
EXAMPLE: CPS-TTRK-2x2-XXW-UL-XX				
DLC Model# CPS-TTRK-2x2-XXW-UL-XX				

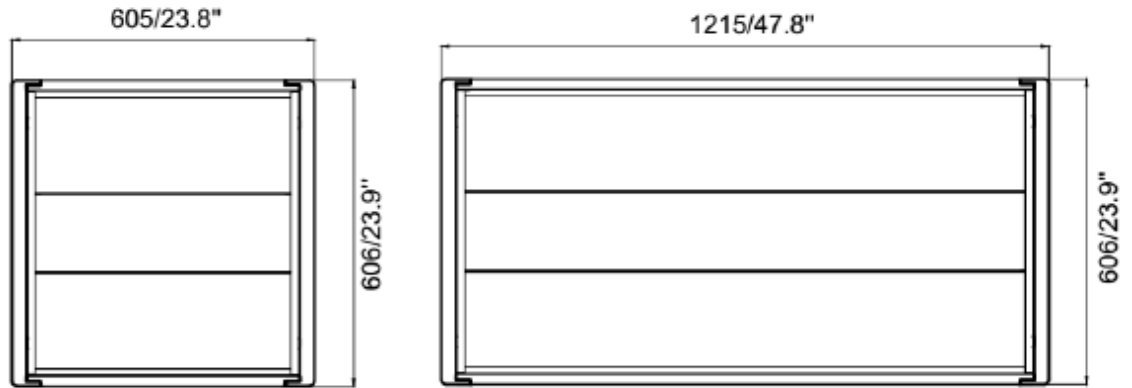
SPECIFICATIONS

UL 1598 suitable for damp locations, type IC
 0-10V dimming is continuous
 Lumens: 125-127 LM/W
 Material: plastic + PC
 Mounting: surface, recessed
 Warranty: 7 years
 Input voltage: 100V-277V, 50/60 Hz
 Color temperature: 3500K-5000K
 Temperature rating: -4°F~+122°F
 L70 life projected: 100,000 hours
 Lens: frosted



CPS LED LIGHTING
 843-407-6803
 SALES@CPSLED.COM
 WWW.CPSLED.COM

CPS LED LIGHTING



DIMENSIONS

	LENGTH (In)	WIDTH (In)	DEPTH (In)	WEIGHT (lb)
CPS-TTRK-2x2-XXW-UL-XX	23.8	23.8	3.08	8.22
CPS-TTRK-2x4-XXW-UL-XX	47.8	23.8	3.08	13.5



CPS LED LIGHTING
843-407-6803
SALES@CPSLED.COM
WWW.CPSLED.COM