

CPS LED LIGHTING

Applications:

Government facilities

Industrial facilities

Warehouses

Steel mills

Paper mills

Tunable High Bay Round Series



Tunable wattage and color gives less sku's with more options. Two sku's that cover a multitude of needs. A new sleek design with 145 lm/w fixture efficacy and high performance.

Sensor and mounting options available. IP65 & IK10 rated.

Lumens:

100W/120W/150W:

14500LM/17400LM/21750LM

200W/220W/240W:

2900LM/31900LM/34800LM

Ordering Information

SERIES	WATTAGE	VOLTAGE	COLOR TEMP
CPS-HBTT-	100/120/150W-	UL-	3050
CPS-HBTT-	200/220/240W-	UL-	3050

Specifications

LM/W: 145
Warranty: 5 years
UL, DLC Listed
Dimming: 0-10V
Temperature Rated: -40~+40°C
Lens/Housing: Aluminum alloy, clear polycarbonate lens
Voltage: 120-277V
CCT: 3000K, 4000K, 5000K
Beam Angle: 60°, 90°, 120°
CRI: 80



CPS LED LIGHTING

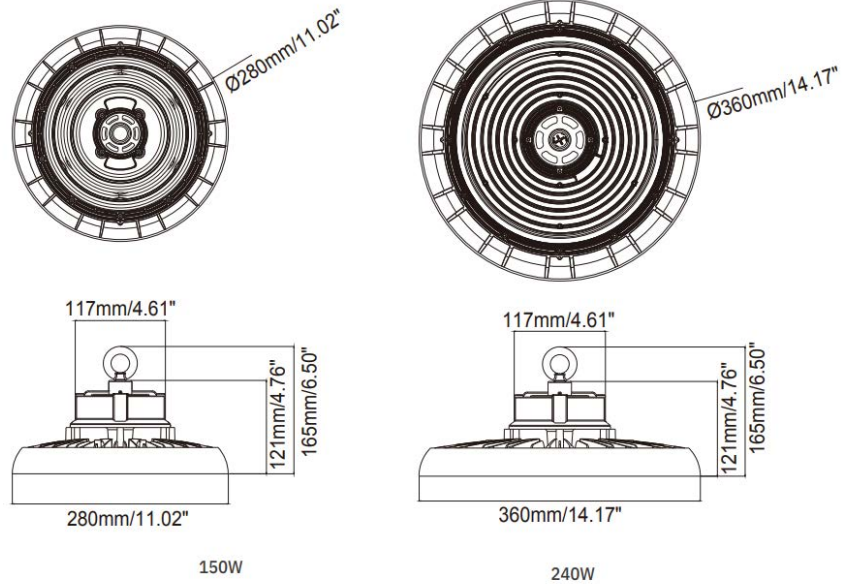
843-407-6803

SALES@CPSLED.COM

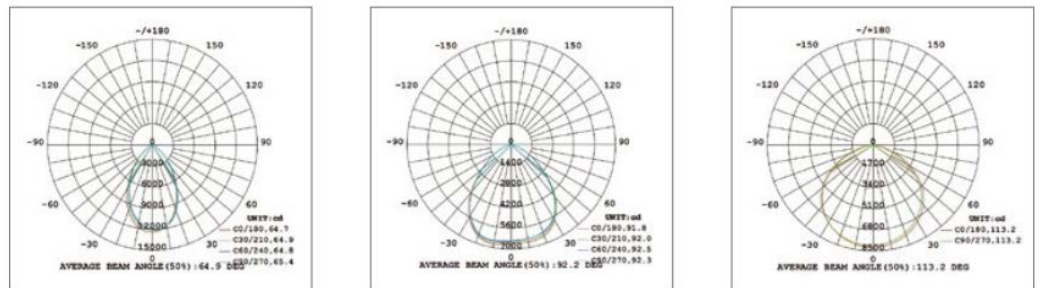
WWW.CPSLED.COM

CPS LED LIGHTING

Dimensions:



Photometrics:



60°

90°

120°



Watt Select:



240W 220W 200W



150W 120W 100W

CCT Select:



5000K 4000K 3000K



CPS LED LIGHTING

843-407-6803

SALES@CPSLED.COM

WWW.CPSLED.COM