



LED t8 4' 18w tube

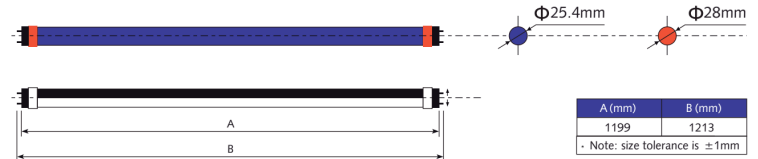
LED T8 TUBE BALLAST FULLY COMPATIBLE DUAL MODE (DOUBLE ENDED)

FEATURES

- Directly Replace 4' Fluorescent T8 Plug and Play, No Rewiring
- Fully Compatible With Most Electronic Ballasts
- Ballast Factor- Low Ballast Factor lumens per watt 130
- Ballast Factor- High Ballast Factor lumens per watt 180
- Fully functional by-passing existing ballast in the circuit
- Certificates: UL Type A (1993) & B (1598c) /cUL, DLC
- Instant on, no flicker or buzz

TECHNICAL CHARACTERISTICS

COLOR TEMPERATURE	3000K, 4000K, 5000K
INPUT VOLTAGE	100-277V AC
DIRECT WIRE LUMEN EFFICIENCY	140 LM/W
LUMEN EFFICIENCY	140 LM/W
CONNECTORS	G13
LENS	FROSTED, CLEAR
CRI	Ra>80
PF	>0.95
BEAM ANGLE	150°
L70 LIFE	PROJECTED 100,000 HOURS
WARRANTY	5 YEARS



ORDER INFORMATION

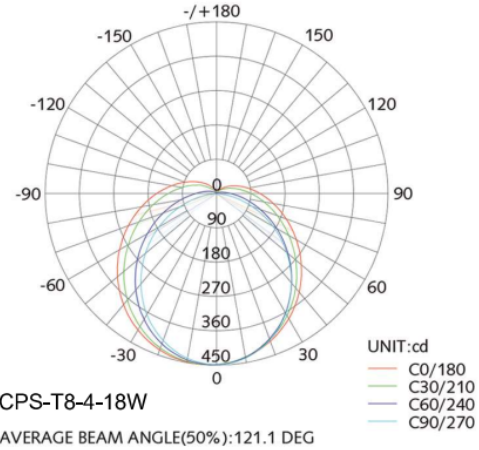
SERIES	LENGTH (FT)	WATTAGE	VOLTAGE	LENS C=CLEAR	KELVIN
			U=100-277V	F=FROSTED	50 = 5000K
CPS-T8-	4-	18W-	UL-	C-	40
				F-	50

EXAMPLE: CPS-T8-4-18W-UL-F-50

Net Weight: 0.7 kg / pc

Notice: This product is compatible with over 90% ballast on the market, CPS LED Lighting highly recommends buyers to test the compatibility on site before ordering by large volume.

PHOTOMETRICS

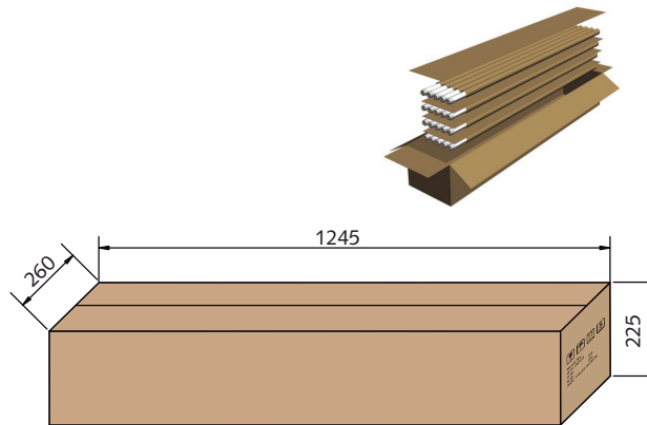


LUX CHART

Model#	Height	Average Lux (lx)	Light range (dia.)
CPS-T8-4-18W	1M	450	273cm
CPS-T8-4-18W	2M	112	546cm
CPS-T8-4-18W	3M	50	819cm
CPS-T8-4-18W	4M	28	1092cm

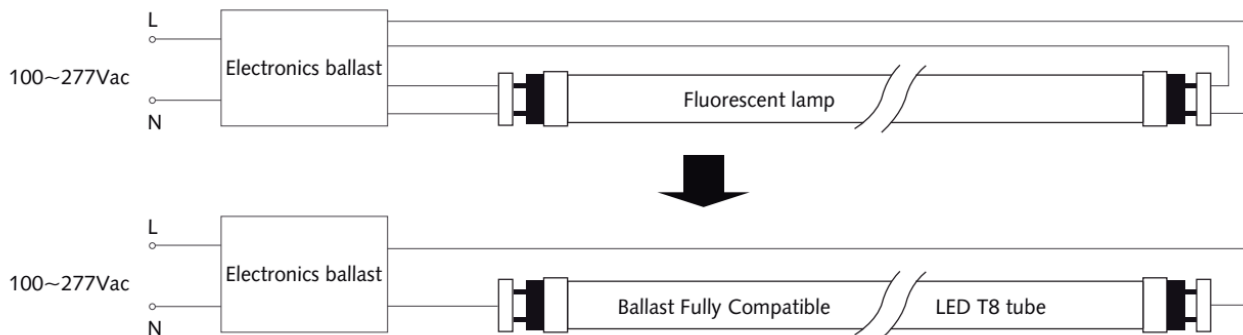
PACKAGING

	SIZE	QTY/ CARTON	NET WEIGHT/ CARTON
OUTER BOX	1245*260*225 MM	35 PCS	19.0 KG



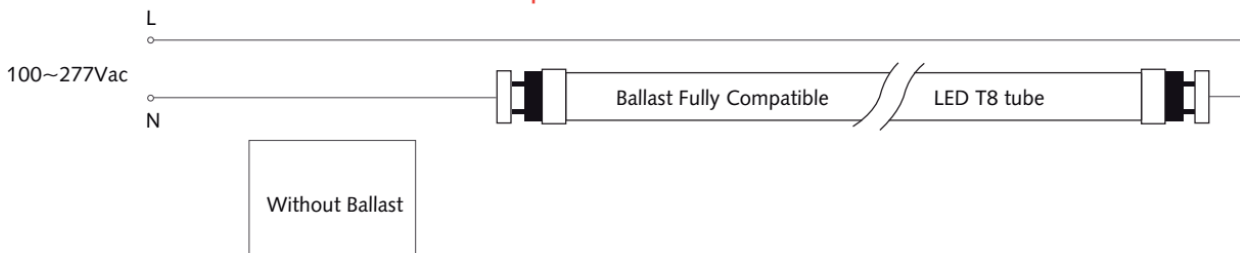
Installation Diagrams

Scenario 1: Electronics Ballast Circuit



Scenario 2: By pass existing ballast in the circuit

*Works with shunted or unshunted lampholders.



Installation:

Turn power off.

When installing any CPS led tube light, please do not install from the center of the tube.

For proper seating and lamp safety, the LED lamp is required to be installed by holding each end of the tube caps and rotating the lamp into the lamp holder on each end.

Please make sure the lamp is seated correctly in the lamp holder for proper contact between the lamp pins and the lamp holder.

Not installing the lamp as directed could lead to improper seating, lamp failure and possible fire.

Once installed properly turn power back on and make sure there is good contact on all lamps.

Please remove the lamp if there is any buzzing, blinking, or the lamp will not turn on and replace with a new lamp.