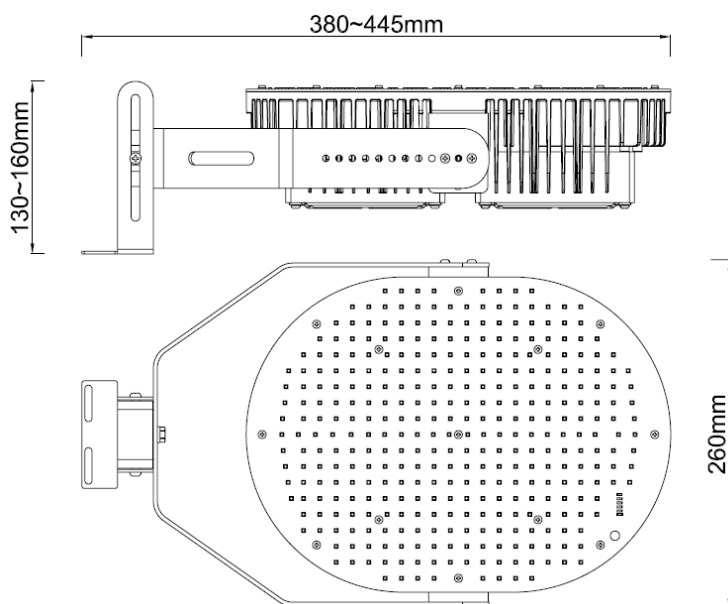


NAME: LED Retrofit Kits

P/N: CPS-RT-480W-UL-40,
CPS-RT-480W-UL-50

Advantage:

- UL
- High CRI
- Mean Well IP65 driver,
Input voltage 100-277VAC
- No UV or IR in the beam
- Easy to install and operate
- Energy saving, long service life
- Light is soft and uniform, safe to eyes
- Instant start, NO flickering, NO humming
- Green and eco-friendly without mercury.



Application:

- ◆ Outdoor Pole/Arm-mounted Area and Roadway Luminaires.

Product Specifications

Product name	LED Retrofit Kits
Part No	CPS-RT-480W-UL-40, CPS-RT-480W-UL-50
Light Type	Retrofit Kits
Dimension	(380-445) *260* (130-160) mm

Technical Characteristic

Color temperature	4000K	4500K	5000K	5700K
CRI	>80			
Lumen	48000-62000LM			
Input Power	480W			
Viewing Angle	120 Degree			
Input Voltage	100-277VAC		50/60Hz	
Driver model	HLG-240H-48B*2 (Mean Well Driver)			
PFC	>0.9			
Equivalent	3500W incandescent / 1000W CFL			
Waterproof Rating	IP40			

Materials

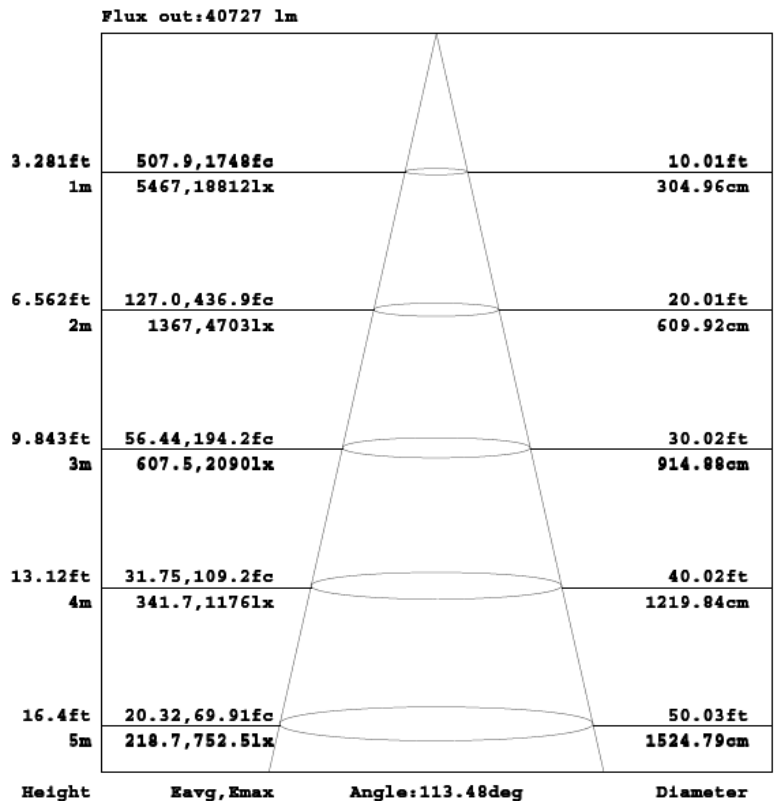
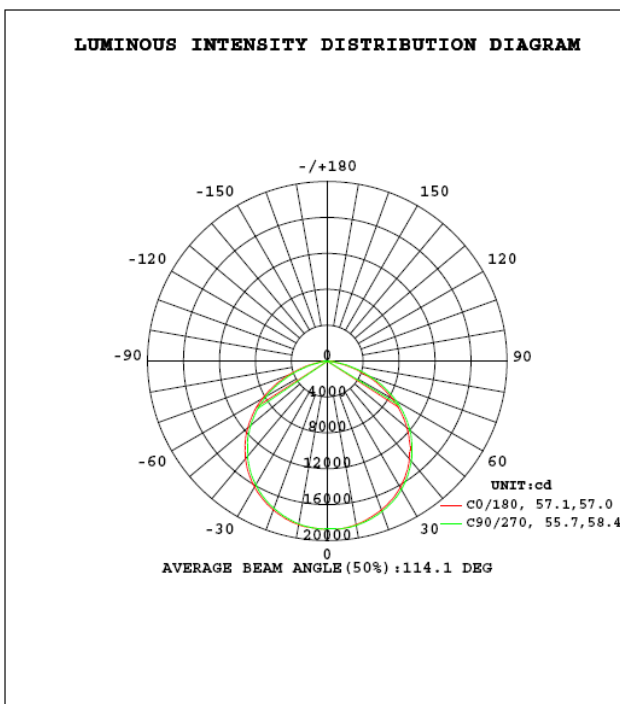
LED Type	3030, 1.5W
LED QTY	560 PCS
Housing	Aluminum
Housing color	Gray

Others

Operating Temperature	-20°C TO 45°C
Operating Humidity	20%-90% RH
Storage Temperature	-30°C TO 80°C
Storage Humidity	10%-95%
Application	Outdoor Pole/Arm-mounted Area and Roadway Luminaires.
Safety Certification	UL、cUL、DLC
L70 Life	50,000 hours
Warranty Time	5 Years

Light Distribution Testing Parameters

DATA OF LAMP		PHOTOMETRIC DATA Eff: 112.97 lm/W			
MODEL		I _{max} (cd)	18747	S/MH (C0/180)	1.29
NOMINAL POWER (W)	480	LOR (%)	100.0	S/MH (C90/270)	1.27
RATED VOLTAGE (V)	120	TOTAL FLUX (lm)	53085	η UP, DN (C0-180)	0.1, 51.4
NOMINAL FLUX (lm)	53085.1	CIE CLASS	DIRECT	η UP, DN (C180-360)	0.1, 48.5
LAMPS INSIDE	1	η up (%)	0.1	CIBSE SHR NOM	1.25
TEST VOLTAGE (V)	120.0	η down (%)	99.9	CIBSE SHR MAX	1.35



Note: The Curves indicate the illuminated area and the average illumination when the luminaire is at different distance.