



NAME: LED Retrofit Kits

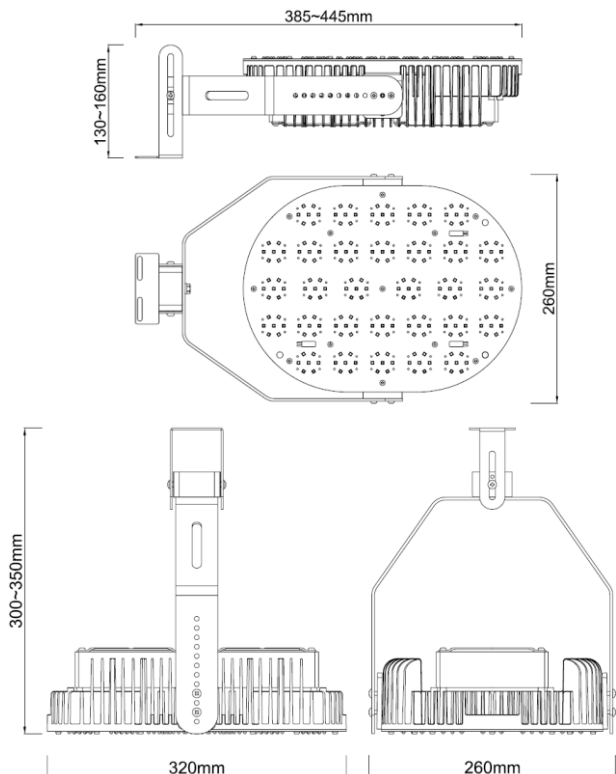
P/N: CPS-RT-400W-UH-40, CPS-RT-400W-UH-50

Advantage:

- UL
- high CRI
- Mean Well IP65 driver,
Input voltage 200-480VAC
- No UV or IR in the beam
- Easy to install and operate
- Energy saving, long service life
- Light is soft and uniform, safe to eyes
- Instant start, NO flickering, NO humming
- Green and eco-friendly without mercury.

Application:

- ◆ Street lights 、 Shoeboxes 、 Flood lights
Wall Packs 、 Canopy lights 、 High bays





TECHNICAL DATA SHEET

Product Specifications

Product name	LED Retrofit Kits
Part No	CPS-RT-400W-UH-40, CPS-RT-400W-UH-50
Light Type	Retrofit Kits
Dimension	(385-445) *260* (130-160) mm 320*260* (300-350) mm

Technical Characteristic

Color temperature	4000-5000K
CRI	>70
Lumen	38000-45500LM
Input Power	400W
Viewing Angle	120Degree
Input Voltage	200-480VAC 50/60Hz
Driver model	HVG-150-24A * 3 (Mean Well Driver)
PFC	>0.9
Equivalent	3000W incandescent / 850W CFL
Waterproof Rating	IP40

Materials

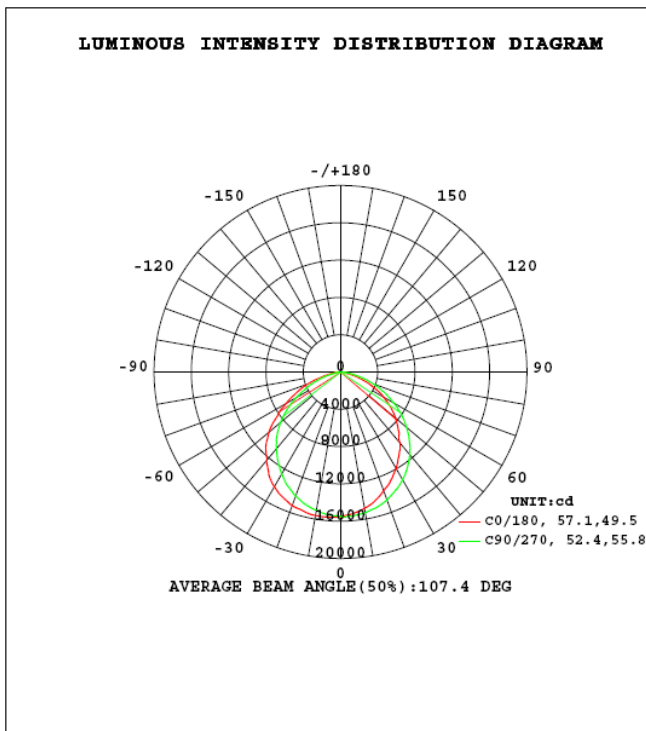
LED QTY	210 PCS
Housing	Aluminum
Housing color	Gray

Others

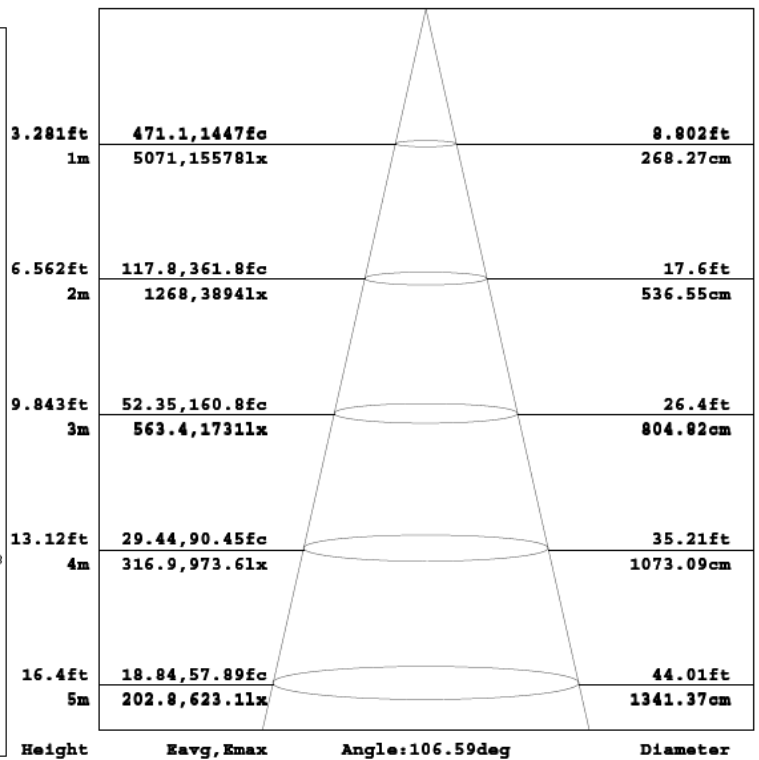
Operating Temperature	-20°C TO 45°C
Operating Humidity	20%-90% RH
Storage Temperature	-30°C TO 80°C
Storage Humidity	10%-95%
Application	Street lights 、 Shoeboxes 、 Flood lights 、 Wall Packs 、 Canopy lights 、 High bays
Safety Certification	UL、cUL、CE、RoHS
Warranty Time	5 Years

Light Distribution Testing Parameters

DATA OF LAMP		PHOTOMETRIC DATA Eff: 104.73 lm/W			
MODEL	SNC-RKNUS-400WV1HV	I _{max} (cd)	15700	S/MH (C0/180)	1.35
NOMINAL POWER (W)	400	LOR (%)	100.0	S/MH (C90/270)	1.22
RATED VOLTAGE (V)	277	TOTAL FLUX (lm)	40883	η UP, DN (C0-180)	0.1, 51.2
NOMINAL FLUX (lm)	40883	CIE CLASS	DIRECT	η UP, DN (C180-360)	0.1, 48.6
LAMPS INSIDE	1	η up (%)	0.2	CIBSE SHR NOM	1.25
TEST VOLTAGE (V)	277.0	η down (%)	99.8	CIBSE SHR MAX	1.35



Flux out:30180 lm



Note: The Curves indicate the illuminated area and the average illumination when the luminaire is at different distance.

Package

CAROLINA PRODUCT SOLUTIONS LLC

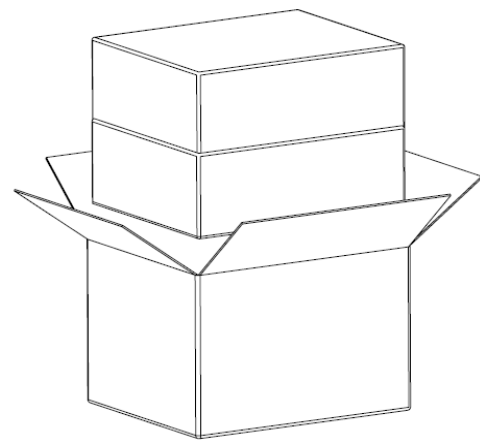
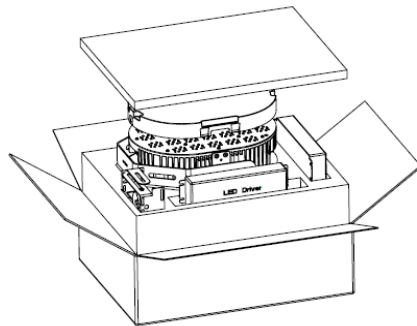
Tel: (843) 407-6803

www.cpsled.com

Fax: (843) 407-6891

Lamps Net Weight: 9.3 KG / PC

	Size	Qty/Carton	Weight/Carton
inner box	50*38*17 CM	1	10.5 KG
Outer box	51*40*36 CM	2	22 KG



Notice For User

- ◆ Please turn off power before install or change assembly parts.
- ◆ The input voltage and lamps should be matched, after connecting the power line, Please make sure the wiring section is insulated.
- ◆ Non-professionals, must not install and disassemble the lamps.

Trouble Shooting

Troubles	Check points
Flickering of the light	Turn off the power and turn on again in 3 minutes. If same phenomena occur, then call CPS LED Lighting
Failure to turn on	Please check the connection