

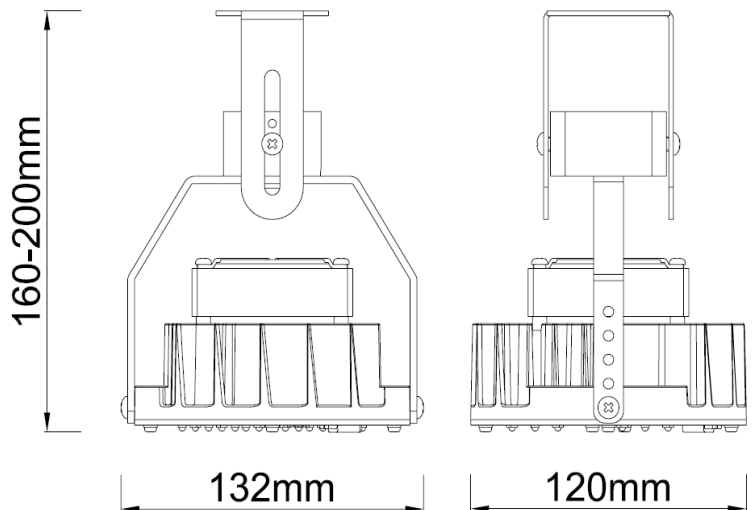


NAME: LED Retrofit Kits

P/N: CPS-RT-35W-UL-40, CPS-RT-35W-UL-50

Advantage:

- UL
- High CRI
- Mean Well IP65 driver,
Input voltage 100-277VAC
- No UV or IR in the beam
- Easy to install and operate
- Energy saving, long service life
- Light is soft and uniform, safe to eyes
- Instant start, NO flickering, NO humming
- Green and eco-friendly without mercury.



Application:

- ◆ Street lights 、 Shoeboxes 、 Flood lights
Wall Packs 、 Canopy lights 、 High bays

Product Specifications



TECHNICAL DATA SHEET

Product name	LED Retrofit Kits
Part No	CPS-RT-35W-UL-40,CPS-RT-35W-UL-50
Light Type	Retrofit Kits
Dimension	(180-210) *132*130mm 132*120* (160-200) mm

Technical Characteristic

Color temperature	4000-5000K
CRI	>70
Lumen	3300-3900LM
Input Power	35W
Viewing Angle	120Degree
Input Voltage	100-277VAC 50/60Hz
Driver model	HLG-40H-24A(Mean Well Driver)
PFC	>0.9
Equivalent	250W incandescent / 70W CFL
Waterproof Rating	IP40

Materials

LED QTY	14 PCS
Housing	Aluminum
Housing color	Gray

Others

Operating Temperature	-20°C TO 45°C
Operating Humidity	20%-90% RH
Storage Temperature	-30°C TO 80°C
Storage Humidity	10%-95%
Application	Street lights 、 Shoeboxes 、 Flood lights 、 Wall Packs 、 Canopy lights 、 High bays
Safety Certification	UL、cUL、CE、RoHS
Warranty Time	5 Years

Light Distribution Testing Parameters

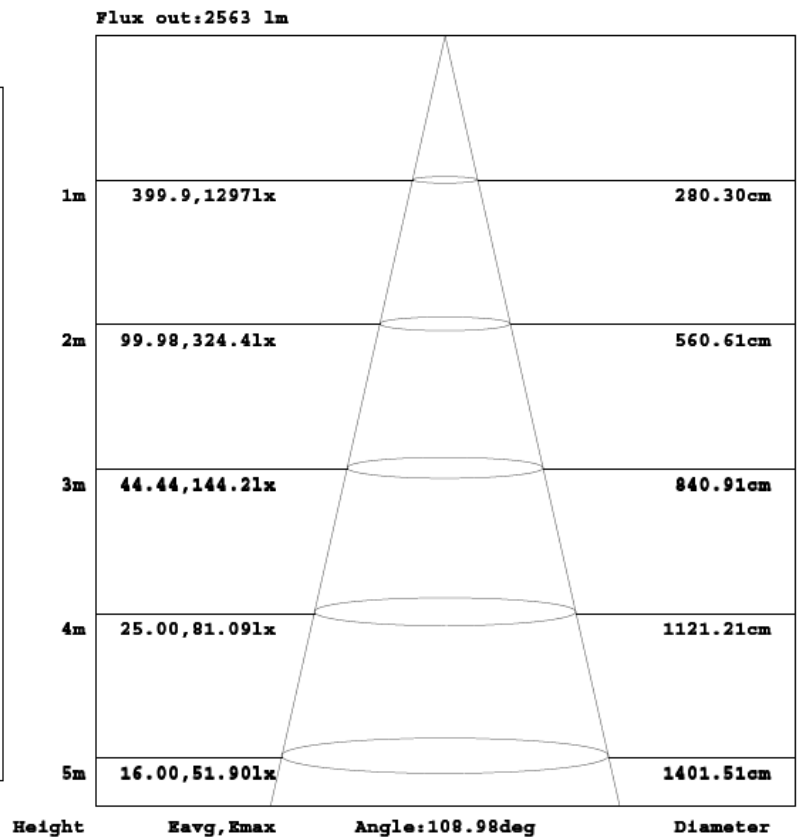
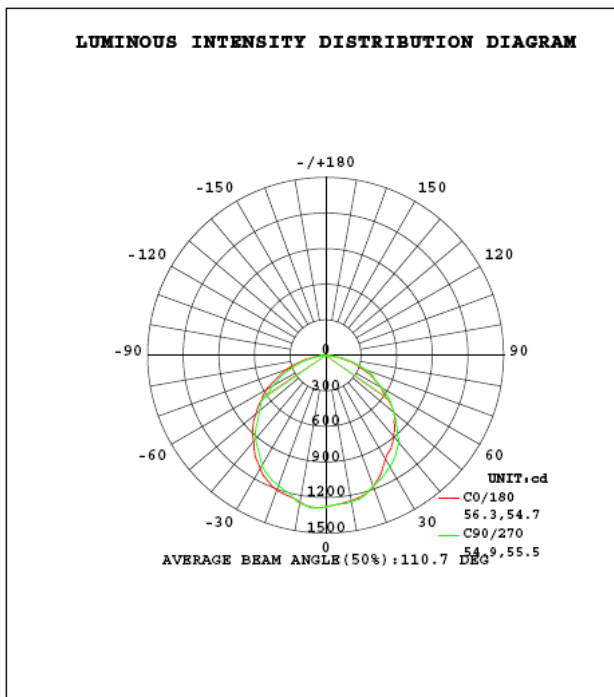
CAROLINA PRODUCT SOLUTIONS LLC

Tel: (843) 407-6803

www.cpsled.com

Fax: (843) 407-6891

DATA OF LAMP		PHOTOMETRIC DATA Eff: 102.63 lm/W			
MODEL	SNC-RKNUS-35WV1	I _{max} (cd)	1307	S/MH (C0/180)	1.28
NOMINAL POWER (W)	35	LOR (%)	100.0	S/MH (C90/270)	1.24
RATED VOLTAGE (V)	120	TOTAL FLUX (lm)	3534.9	η UP, DN (C0-180)	0.0, 50.5
NOMINAL FLUX (lm)	3534.89	CIE CLASS	DIRECT	η UP, DN (C180-360)	0.0, 49.4
LAMPS INSIDE	1	η up (%)	0.1	CIBSE SHR NOM	1.25
TEST VOLTAGE (V)	120.0	η down (%)	99.9	CIBSE SHR MAX	1.35



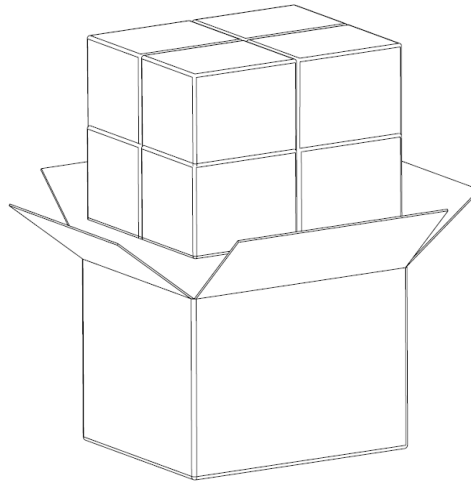
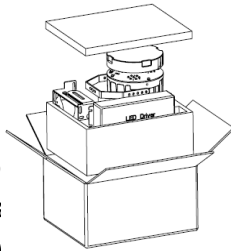
Package

Lamps Net Weight: 1.45 KG / PC

	Size	Qty/Carton	Weight/Carton
inner box	27*22*13 CM	1	1.95 KG
Outer box	56*45*29 CM	8	16.7 KG

Notice For User

- ◆ Please turn off power b
- ◆ The input voltage and l
Please make sure the v
- ◆ Non-professionals, must not install and disassemble the lamps.



Trouble Shooting

Troubles	Check points
Flickering of the light	Turn off the power and turn on again in 3 minutes. If same phenomena occur, then CPS LED Lighting
Failure to turn on	Please check the connection