

NAME: LED Retrofit Kits

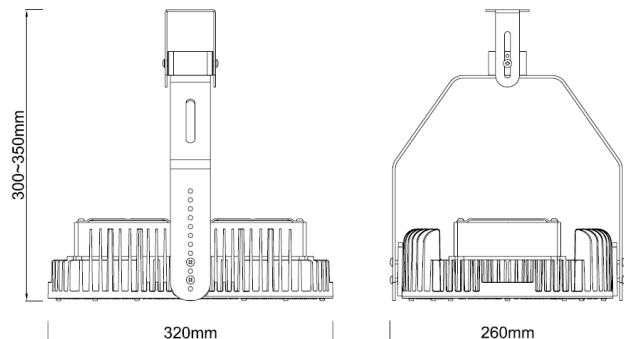
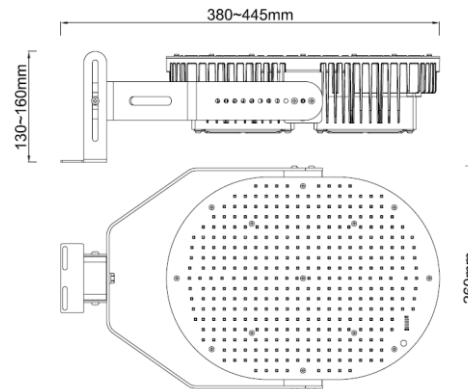
P/N: CPS-RT-300W-UL-40, CPS-RT-300W-50

### Advantage:

- UL
- high CRI
- Mean Well IP65 driver, input voltage 100-277VAC
- No UV or IR in the beam
- Easy to install and operate
- Energy saving, long service life
- Light is soft and uniform, safe to eyes
- Instant start, NO flickering, NO humming
- Green and eco-friendly without mercury.

### Application:

- ◆ Street lights 、 Shoeboxes 、 Flood lights
- Wall Packs 、 Canopy lights 、 High bays



## Product Specifications

Product name	LED Retrofit Kits
Part No	CPS-RT-300W-UL-40, CPS-RT-300W-UL-50
Light Type	Retrofit Kits
Dimension	(380-445) *260* (130-160) mm 320*260* (300-350) mm

## Technical Characteristic

Color temperature	4000-5000K
CRI	>80
Lumen	30000-39000LM
Input Power	300W
Viewing Angle	120 Degree
Input Voltage	100-277VAC 50/60Hz
Driver model	HLG-320H-48B( Mean Well Driver )
PFC	>0.9
Equivalent	2500W incandescent / 700W CFL
Waterproof Rating	IP40

## Materials

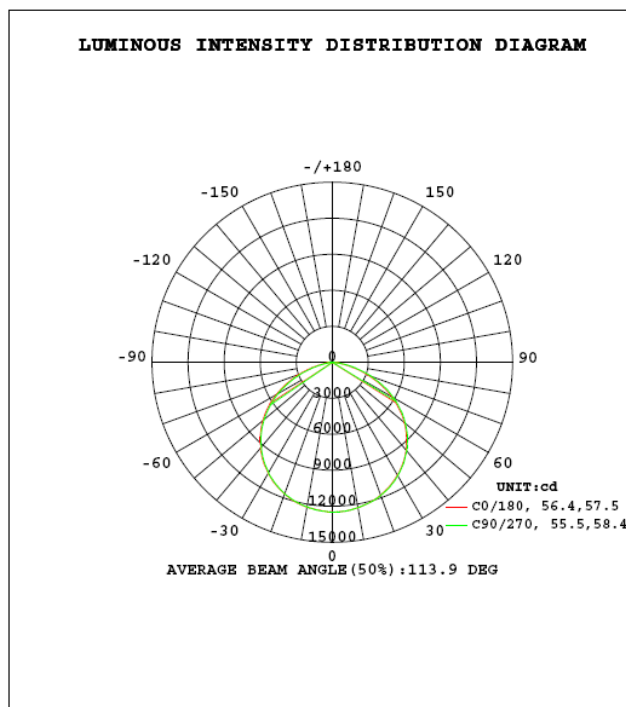
LED QTY	350 PCS
Housing	Aluminum
Housing color	Gray

## Others

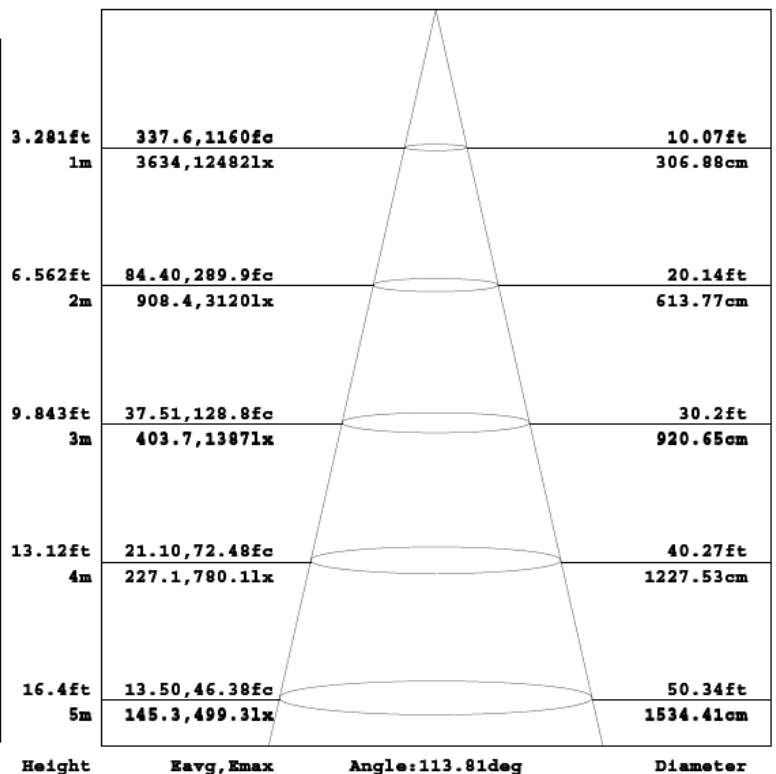
Operating Temperature	-20°C TO 45°C
Operating Humidity	20%-90% RH
Storage Temperature	-30°C TO 80°C
Storage Humidity	10%-95%
Application	Street lights , Shoeboxes , Flood lights , Wall Packs , Canopy lights , High bays
Safety Certification	UL、cUL
Warranty Time	5 Years

## Light Distribution Testing Parameters

DATA OF LAMP		PHOTOMETRIC DATA      Eff: 116.34 lm/W			
MODEL	SNC-RKPUS-300WD2-4000K	I <sub>max</sub> (cd)	12473	S/MH (C0/180)	1.27
NOMINAL POWER (W)	300	LOR (%)	100.0	S/MH (C90/270)	1.27
RATED VOLTAGE (V)	120	TOTAL FLUX (lm)	35288	η UP, DN (C0-180)	0.1, 51.5
NOMINAL FLUX (lm)	35288.4	CIE CLASS	DIRECT	η UP, DN (C180-360)	0.1, 48.4
LAMPS INSIDE	1	η up (%)	0.1	CIBSE SHR NOM	1.25
TEST VOLTAGE (V)	120.0	η down (%)	99.9	CIBSE SHR MAX	1.35



Flux out: 27068 lm

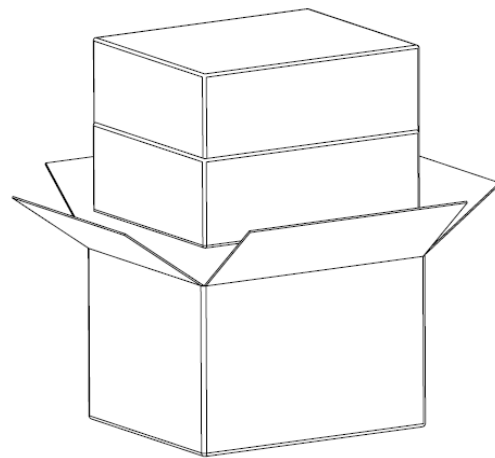
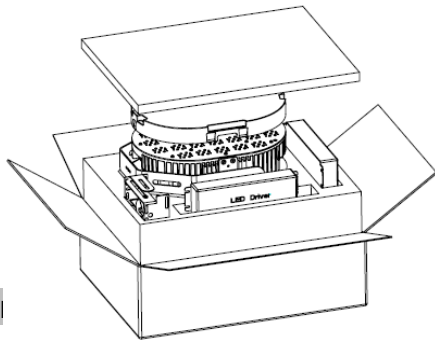


Note: The Curves indicate the illuminated area and the average illumination when the luminaire is at different distance.

## Package

**Lamps Net Weight: 7.3 Kg/pcs**

	Size	Qty/Carton	Weight/Carton
inner box	50*38*17 CM	1	8.7 kg
Outer box	51*40*36 CM	2	18.5 kg



## Notice For Use

- ◆ Please turn off power before install or change assembly parts.
- ◆ The input voltage and lamps should be matched, after connecting the power line, Please make sure the wiring section is insulated.
- ◆ Non-professionals, must not install and disassemble the lamps.

## Trouble Shooting

Troubles	Check points
Flickering of the light	Turn off the power and turn on again in 3 minutes. If same phenomena occur, then call CPS LED Lighting
Failure to turn on	Please check the connection