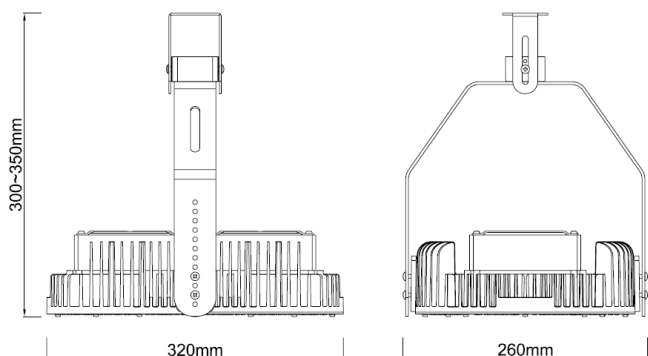
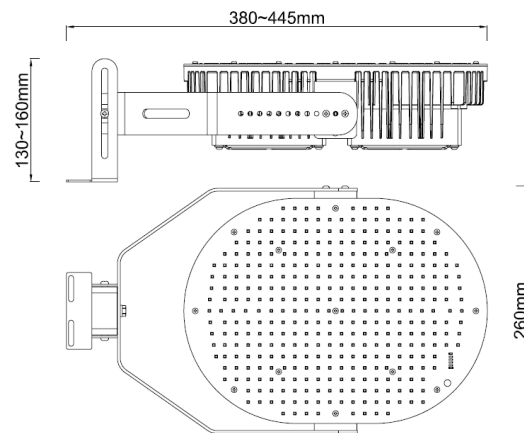


NAME: LED Retrofit Kits

P/N: CPS-RT-300W-UH-40, CPS-RT-300W-UH-50

### Advantage:

- UL cUL certificate
- High CRI
- Mean Well IP65 driver, input voltage 200-480VAC
- No UV or IR in the beam
- Easy to install and operate
- Energy saving, long service life
- Light is soft and uniform, safe to eyes
- Instant start, NO flickering, NO humming
- Green and eco-friendly without mercury.



### Application:

- ◆ Street lights 、 Shoeboxes 、 Flood lights
- Wall Packs 、 Canopy lights 、 High bays



# TECHNICAL DATA SHEET

## Product Specifications

Product name	LED Retrofit Kits
Part No	CPS-RT-300W-UH-40, CPS-RT-300W-UH-50
Light Type	Retrofit Kits
Dimension	(380-445) *260* (130-160) mm 320*260* (300-350) mm

## Technical Characteristic

Color temperature	2700-7000K
CRI	>80
Lumen	30000-39000LM
Input Power	300W
Viewing Angle	120 Degree
Input Voltage	200-480VAC 50/60Hz
Driver model	HVG-150-48B*2( Mean Well Driver )
PFC	>0.9
Equivalent	2500W incandescent / 700W CFL
Waterproof Rating	IP40

## Materials

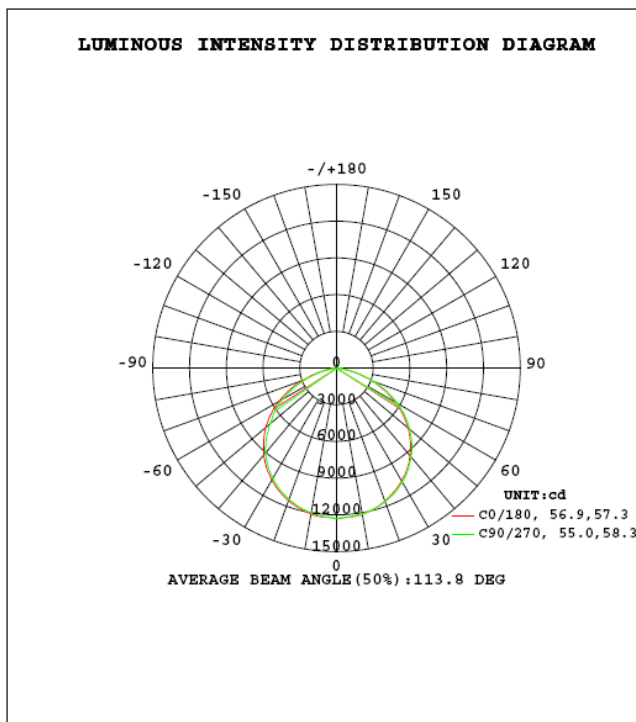
LED Type	3030, 1.5W
LED QTY	350 PCS
Housing	Aluminum
Housing color	Gray

## Others

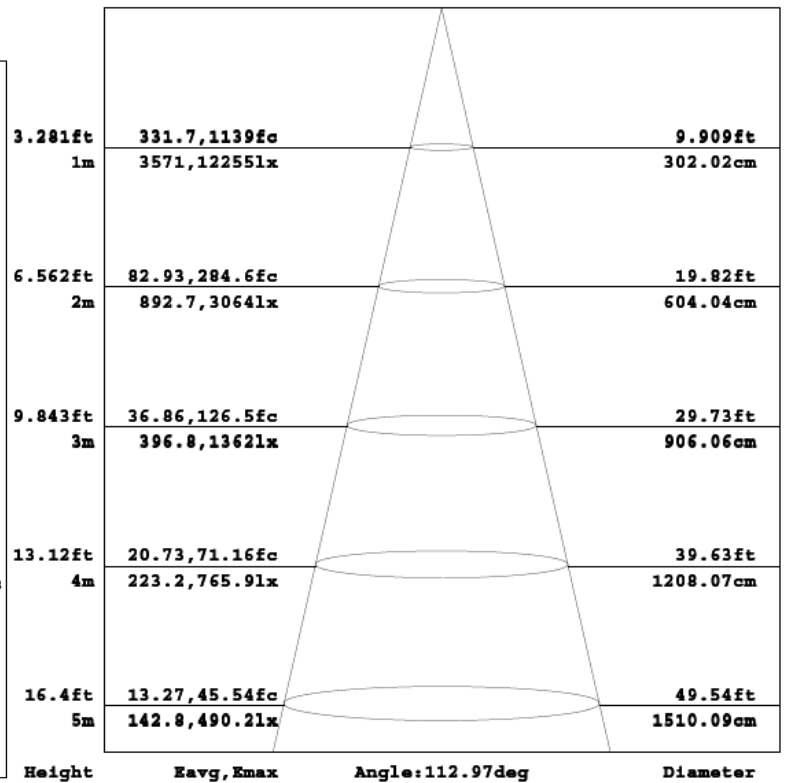
Operating Temperature	-20°C TO 45°C
Operating Humidity	20%-90% RH
Storage Temperature	-30°C TO 80°C
Storage Humidity	10%-95%
Application	Street lights , Shoeboxes , Flood lights , Wall Packs , Canopy lights , High bays
Safety Certification	UL, cUL
Warranty Time	5 Years

## Light Distribution Testing Parameters

DATA OF LAMP		PHOTOMETRIC DATA      Eff: 116.73 lm/W			
<b>Model: CPS-RT-300W-UH</b>		K Imax (cd)	12268	S/MH (C0/180)	1.28
NOMINAL POWER (W)	300	LOR (%)	100.0	S/MH (C90/270)	1.27
RATED VOLTAGE (V)	277	TOTAL FLUX (lm)	34663	$\eta$ UP, DN (C0-180)	0.1, 51.4
NOMINAL FLUX (lm)	34662.6	CIE CLASS	DIRECT	$\eta$ UP, DN (C180-360)	0.1, 48.5
LAMPS INSIDE	1	$\eta$ up (%)	0.1	CIBSE SHR NOM	1.25
TEST VOLTAGE (V)	277.0	$\eta$ down (%)	99.9	CIBSE SHR MAX	1.35



Flux out: 26600 lm

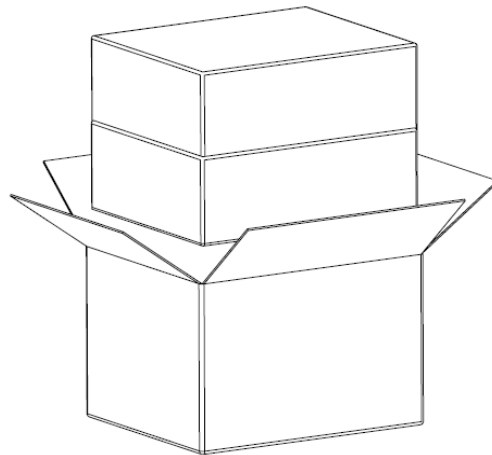
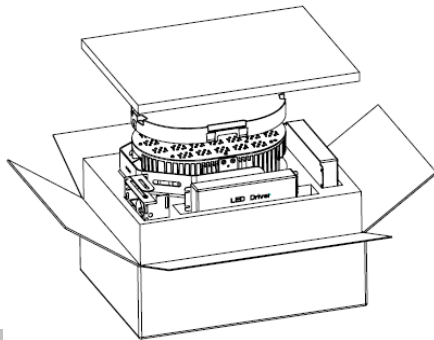


Note: The Curves indicate the illuminated area and the average illumination when the luminaire is at different distance.

## Package

**Lamps Net Weight: 8 Kg/pcs**

	Size	Qty/Carton	Weight/Carton
Inner box	50*38*17 CM	1	9.4 kg
Outer box	51*40*36 CM	2	20 kg



## Notice For Use

- ◆ Please turn off power before install or change assembly parts.
- ◆ The input voltage and lamps should be matched, after connecting the power line, Please make sure the wiring section is insulated.
- ◆ No-professionals, must not install and disassemble the lamps.

## Trouble Shootings

Troubles	Check points
Flickering of the light	Turn off the power and turn on again in 3 minutes. If same phenomena occur, then please call CPS LED.
Out of working	Please check the connection