

SPECIFICATIONS

UL, CUL CERTIFICATE

IP65 INTERNAL DRIVER , INPUT VOLTAGE 100-277 VAC

NO UV OR IR IN THE BEAM

EASY TO INSTALL AND OPERATE

LONG LIFESPAN

LIGHT IS SOFT AND UNIFORM, SAFE TO EYES

INSTANT START, NO FLICKERING, NO HUMMING

GREEN AND ECO-FRIENDLY WITHOUT MERCURY



APPLICATIONS

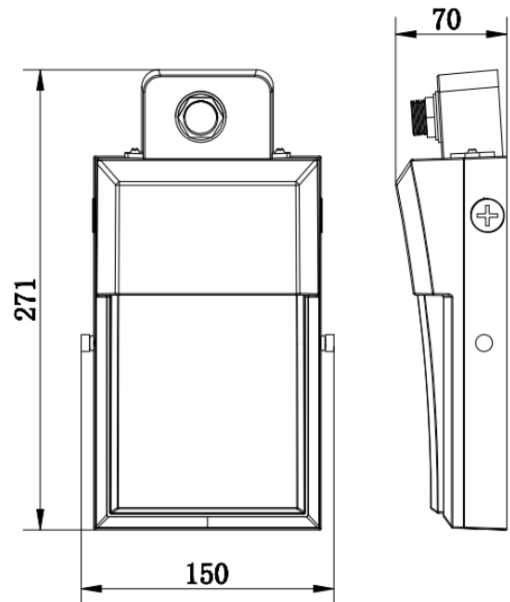
ENTRANCE AND COURTYARD LIGHTING

OUTDOOR LANDSCAPE

INDUSTRIAL LIGHTING

HOTEL LIGHTING

WALL LIGHTING



mm
Net Weight: 0.87 kg / pc



ORDER INFORMATION

SERIES	WATTAGE	VOLTAGE UL = 110- 277V	HOUSING COLOR BL=BLACK	KELVIN 50 = 5000K
CPS-MWP-	20W-	UL-	BL-	40
				50
EXAMPLE: CPS-MWP-20W-UL-BL-50				

TECHNICAL CHARACTERISTICS

COLOR TEMPERATURE	4000K, 5000K
INPUT VOLTAGE	AC100-277 50/60Hz
LUMENS	2200 LM
LUMEN EFFICIENCY	110 LM/W
WATERPROOF RATING	IP65
CRI	>80
PFC	>0.9
VIEWING ANGLE	110°
OPERATING TEMPERATURE	~20°C TO 45°C
OPERATING HUMIDITY	20%-90% RH
STORAGE TEMPERATURE	~30°C TO 80°C
STORAGE HUMIDITY	10%-95%
APPLICATION	INDOOR/OUTDOOR
PRODUCT DIMENSION	271 x 150 x 66 mm
L70 LIFE	PROJECTED 100,000 HOURS
WARRANTY	7 YEARS

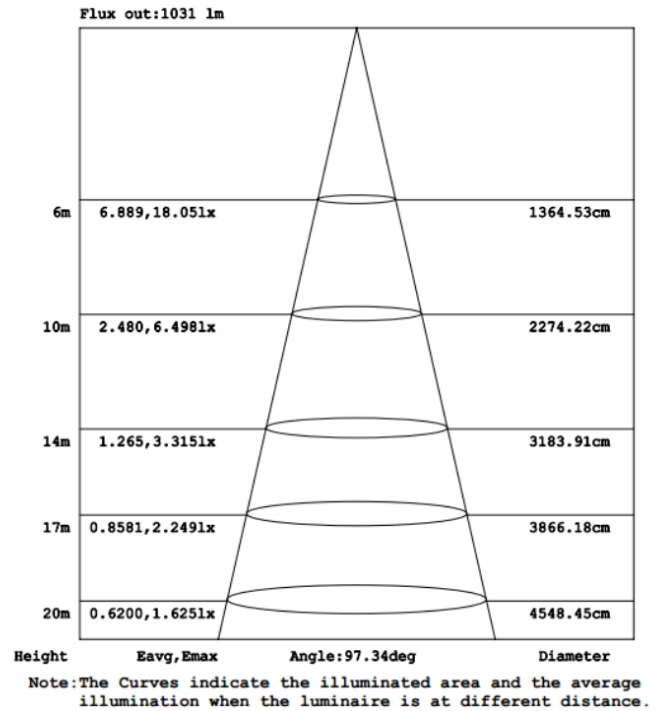
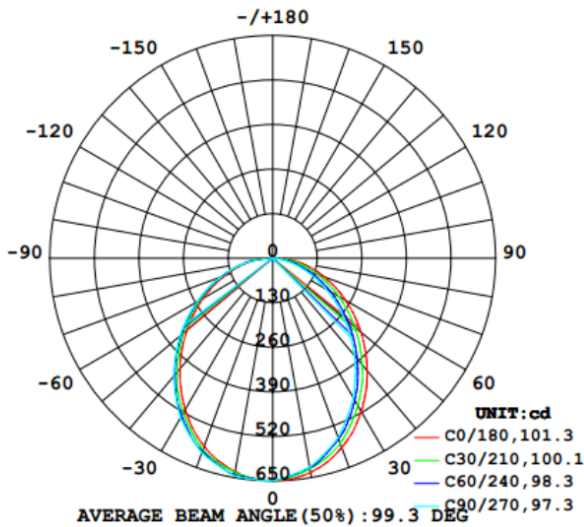
MATERIALS

HOUSING	ALUMINUM
HOUSING COLOR	BLACK

photometric:

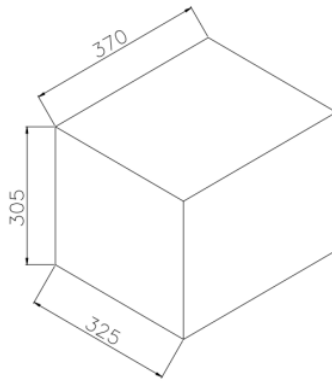
DATA OF LAMP		PHOTOMETRIC DATA Eff: 86.49 lm/W			
MODEL		I _{max} (cd)	649.8	S/MH (C0/180)	1.18
NOMINAL POWER (W)	20	LOR (%)	100.0	S/MH (C90/270)	1.23
RATED VOLTAGE (V)	120	TOTAL FLUX (lm)	1628.7	η UP, DN (C0-180)	0.0,46.5
NOMINAL FLUX (lm)	1628.67	CIE CLASS	DIRECT	η UP, DN (C180-360)	0.0,53.5
LAMPS INSIDE	1	η up (%)	0.0	CIBSE SHR NOM	1.25
TEST VOLTAGE (V)	120	η down (%)	100.0	CIBSE SHR MAX	1.35

LUMINOUS INTENSITY DISTRIBUTION DIAGRAM



PACKAGING

	SIZE	QTY/ CARTON	NET WEIGHT/ CARTON
OUTER BOX	370*325*305 MM	10 PC	10.5 KG



NOTICE FOR USER:

Please turn off power before install or change assembly parts.

The input voltage and lamps should be matched, after connecting the power line.

Please make sure the wiring section is insulated.