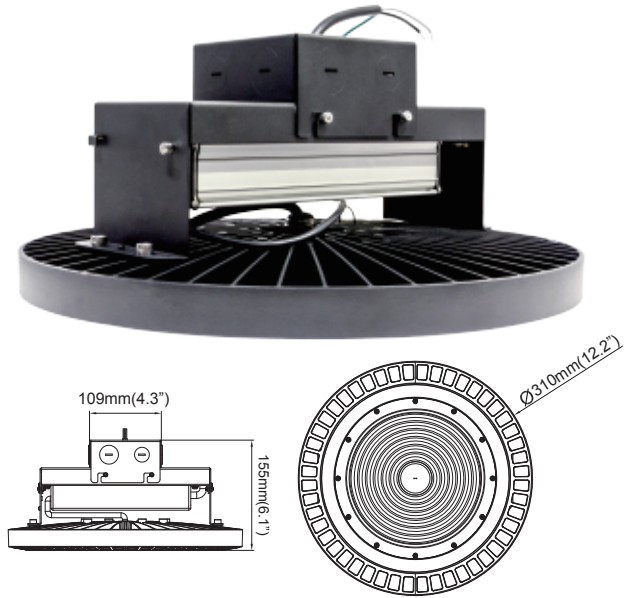


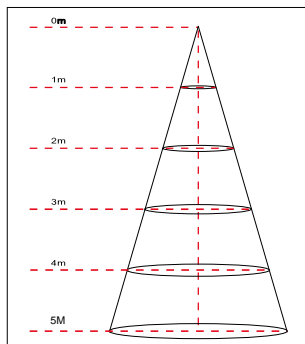
Specifications

Description: 150W LED HIGHBAY ROUND
 Power: 150W
 Voltage: 100-277 Vac
 Lumen Output: 22500 lm
 Color Temperature: 3000K, 4000K, 5000K
 CRI: >80
 Lumen efficacy: 150lm/w
 Operating Temp.: -40° C to 55° C
 IP Rating: IP65
 Power Factor: 0.9
 THD: 20%
 Certificate: ETL/cETL, DLC
 Warranty: 7 years
 Life Span: 50000 Hrs
 Dimmability: 0-10V dimmable
 Dimension: 310mm*310mm*155mm
 Weight: 3.08kgs



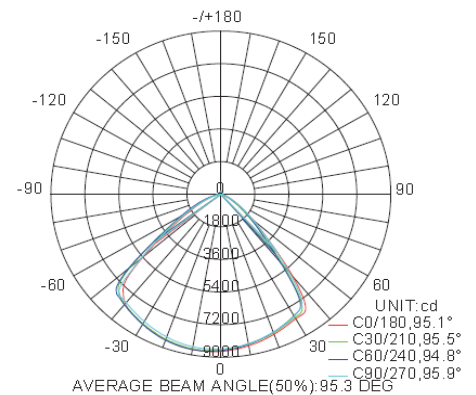
Model: CPS-HBL-150W-UL-120D-XX

Lux Chart



Height	Average Lux(lx)	Light range(dia.)
1M	3933	219cm
2M	983	438cm
3M	437	656cm
4M	245.8	875cm
5M	157.3	1094cm

Photometrics





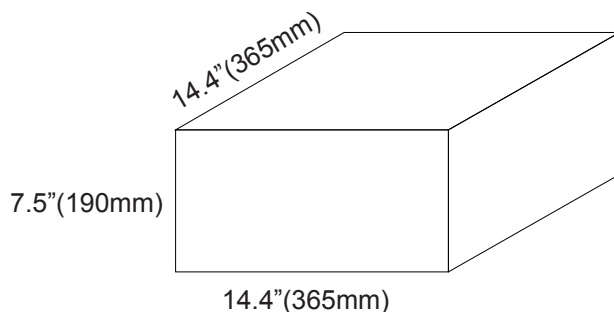
LED HIGHBAY ROUND

ORDER INFORMATION

SERIES	WATTAGE	VOLTAGE U=100-277V	VIEWING ANGLE	KELVIN 50 = 5000K
CPS-HBL	150W-	UL-	120D-	40
				50
EXAMPLE: CPS-HBL-150W-UL-120D-50				
MODEL#: CPS-HBL-150W-UL-120D-XX				

Packaging

1pcs/CTN G.W.:4 kg Dimension: 14.4"L x 14.4"W x 7.5"H(365mmx365mmx190mm)



SAFETY INFORMATION

WARNING

- Turn off electricity at main fuse box (or circuit breaker box) before beginning installation by removing fuse or switching off circuit breaker.
- Be careful not to damage or cut the wire insulation (covering) during fixture installation. Do not permit wires to contact any surface having a sharp edge. To do so may damage or cut the wire insulation, which could cause serious injury or death from electric shock.
- LED electronics can be damaged by electro static discharge (ESD) shock. Before installation, discharge yourself by touching a grounded bare metal surface to remove this hazard. To avoid damage, do not touch the LED module.

CAUTION

- All electrical connections must be in agreement with local codes, ordinances or the national electric code (NEC).
- Contact your municipal building department to learn about your local codes, permits and/or inspections.
- Risk of fire – most dwellings built before 1985 have supply wire rated for 140°F/60°C. Consult a qualified electrician before installation.
- Do not connect this fixture to an electrical system that does not provide a means for equipment grounding. Never use a fixture in a two-wire system that is not grounded. If you are not sure your lighting system has a grounding means, do not attempt to install this fixture. Contact a qualified, licensed electrician for information with regards to proper grounding methods as required by the local electrical code in your area.
- If a dimmer control switch is used with this fixture, obtain professional advice to determine the correct type and electrical rating required.

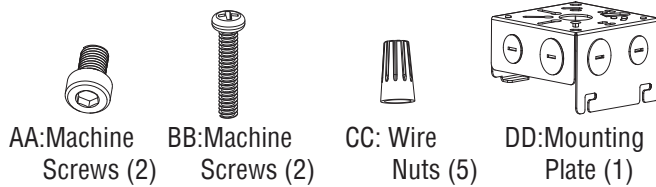


LM79
LM80



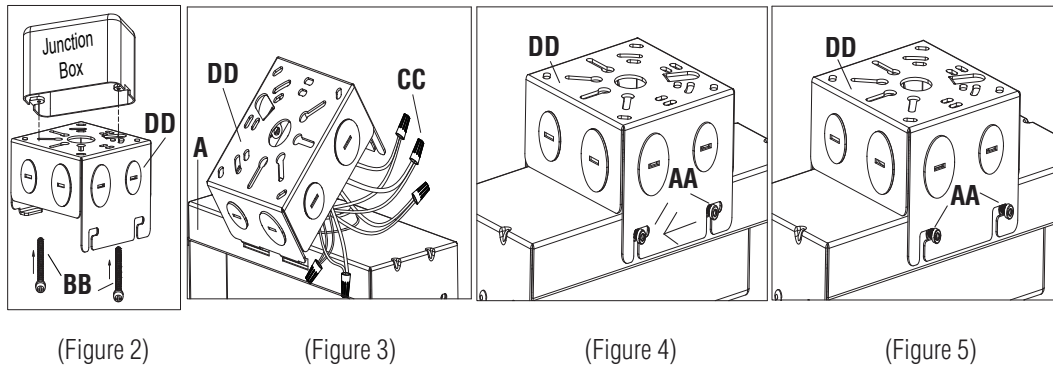
INSTALLATION

OPTION WAY 1 : Surface Mounted HARDWARE:



WARNING: Turn off the power at fuse or circuit box.

1. Secure the Mounting Plate (Part DD) to the Junction box (recessed into ceiling) by tightening 2 pcs Machine Screws (Part BB). (Figure 2)
2. Holding the fixture in an angle depend on the fixation between the Mounting plate (Part DD) and the Supportor (Part A) . (Figure 3)
3. Make wires connection in accordance with local codes by using the Wire Nuts (Part CC) to secure wiring connection. (Figure 3)
4. Rotating the fixture to match the Supportor (Part A) and the Mounting Plate (Part DD) and slide the fixture left. (Figure 4)
5. Tighten the Machine Screws (Part AA).(Figure 5)
6. Turn on the power at fuse or circuit box.

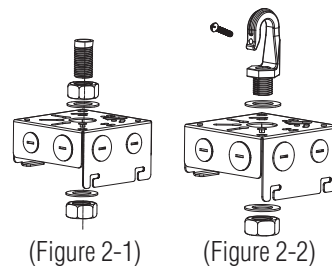


OPTION WAY 2 : Pendant Mounted

Instead of WAY 1, WAY 2 is pendant mounted by a suspender. showed as Figure 2-1.

OPTION WAY 3 : Suspended Mounted

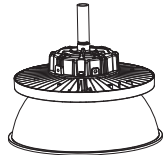
Instead of WAY 3, WAY 3 is Suspended mounted by lifting hook. showed as Figure 2-2



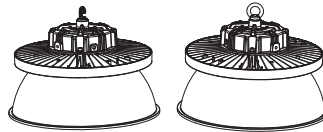


LED HIGHBAY ROUND

OPTION 1: LED Round Power Supply

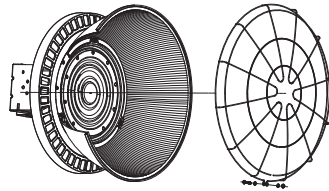


Pendant Mounted

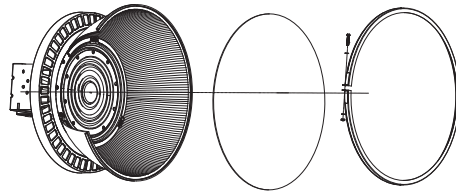


Suspended Mounted

Accessories OPTION 1: Cover + Iron Gauze



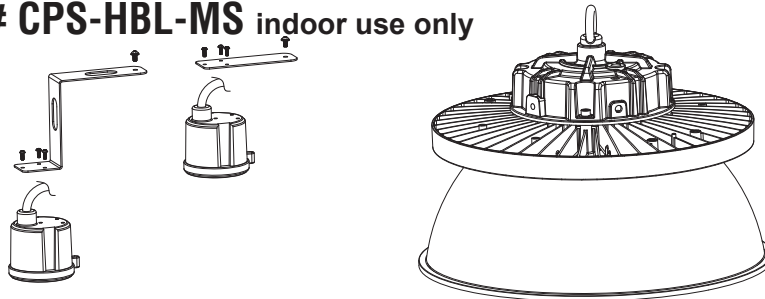
Accessories OPTION 2: Cover + Clear Lens



CPS PART# CPS-HBL-ACRYLIC

Accessories OPTION 3: IP65 Microwave Motion Sensor

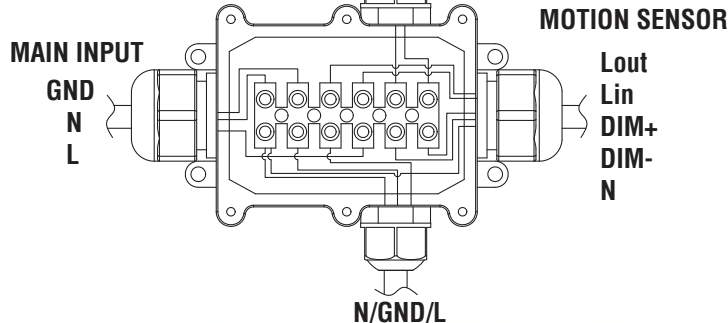
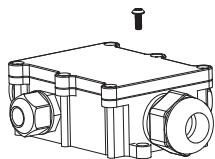
CPS PART# CPS-HBL-MS indoor use only



Accessories OPTION 4: IP65 Junction Box- CPS PART# CPS-HBL-JB

The wiring scheme is suitable for 1-10V dimmable power supply with microwave motion sensor to achieve 3-step dimming function.

FROM DIMMABLE LUMINAIRE
DIM-/DIM+



LM79
LM80

