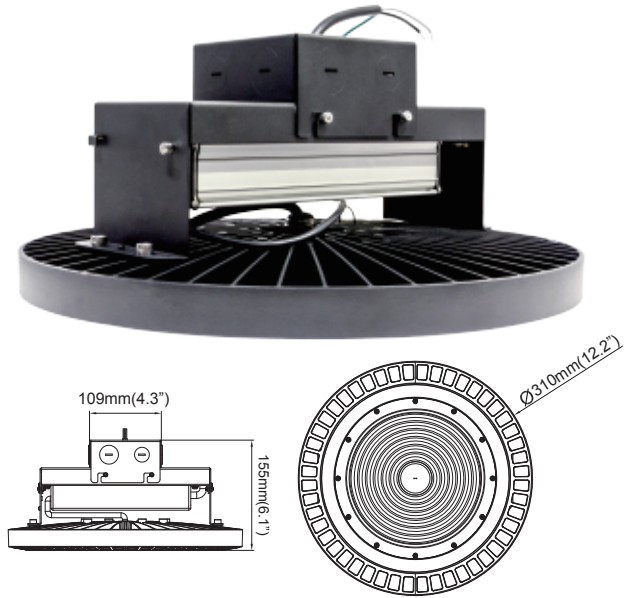


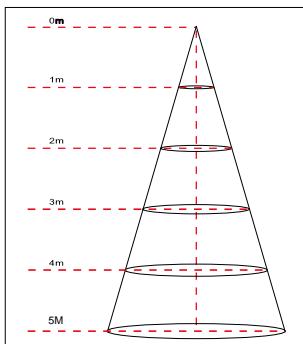
## Specifications

Description: 100W LED Highbay Round  
 Power: 100W  
 Voltage: 277-480Vac  
 Lumen Output: 15000lm  
 Color Temperature: 3000K, 4000K, 5000K  
 CRI: >80  
 Lumen efficacy: 150lm/w  
 Operating Temp.: -40° C to 55° C  
 IP Rating: IP65  
 Power Factor: 0.9  
 THD: 20%  
 Certificate: ETL/cETL,DLC  
 Warranty: 7 years  
 L70 Life: Projected 100,000 Hrs  
 Dimmability: 0-10V dimmable  
 Dimension: 310mm\*310mm\*155mm  
 Weight: 3.08kgs



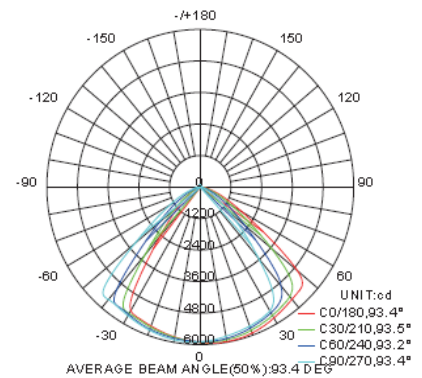
Model: CPS-HBL-100W-UH-120D-XX

## Lux Chart



Height	Average Lux(lx)	Light range(dia.)
1M	2757	212cm
2M	689.2	424cm
3M	306.3	636cm
4M	172.3	848cm
5M	110.3	1060cm

## Photometrics





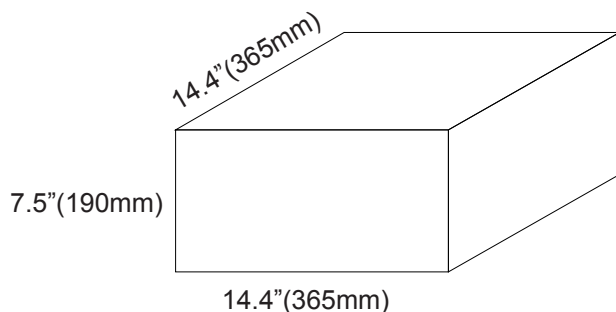
# LED Highbay Round

## ORDER INFORMATION

SERIES	WATTAGE	VOLTAGE UH=277-480V	VIEWING ANGLE	KELVIN 50 = 5000K
CPS-HBL	100W-	UH-	120D-	40
				50
EXAMPLE: CPS-HBL-100W-UH-120D-50				
MODEL#: CPS-HBL-240W-UH-120D-XX				

## Packaging

1pcs/CTN G.W.:4 kg Dimension: 14.4"L x 14.4"W x 7.5"H(365mmx365mmx190mm)



## SAFETY INFORMATION

### WARNING

- Turn off electricity at main fuse box (or circuit breaker box) before beginning installation by removing fuse or switching off circuit breaker.
- Be careful not to damage or cut the wire insulation (covering) during fixture installation. Do not permit wires to contact any surface having a sharp edge. To do so may damage or cut the wire insulation, which could cause serious injury or death from electric shock.
- LED electronics can be damaged by electro static discharge (ESD) shock. Before installation, discharge yourself by touching a grounded bare metal surface to remove this hazard. To avoid damage, do not touch the LED module.

### CAUTION

- All electrical connections must be in agreement with local codes, ordinances or the national electric code (NEC).
- Contact your municipal building department to learn about your local codes, permits and/or inspections.
- Risk of fire – most dwellings built before 1985 have supply wire rated for 140°F/60°C. Consult a qualified electrician before installation.
- Do not connect this fixture to an electrical system that does not provide a means for equipment grounding. Never use a fixture in a two-wire system that is not grounded. If you are not sure your lighting system has a grounding means, do not attempt to install this fixture. Contact a qualified, licensed electrician for information with regards to proper grounding methods as required by the local electrical code in your area.
- If a dimmer control switch is used with this fixture, obtain professional advice to determine the correct type and electrical rating required.

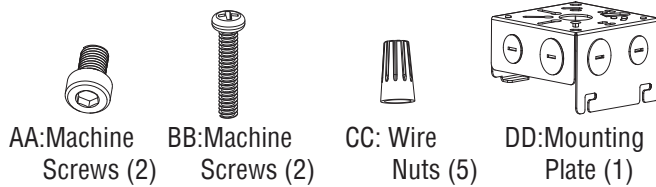


LM79  
LM80



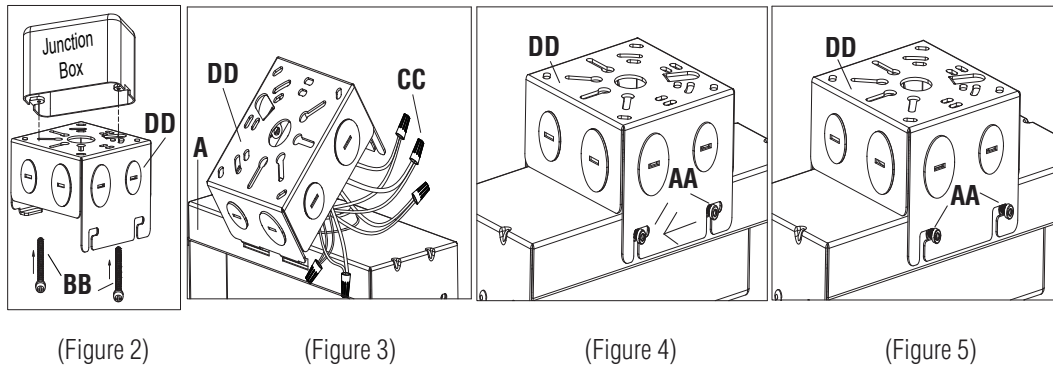
## INSTALLATION

### OPTION WAY 1 : Surface Mounted HARDWARE:



**WARNING: Turn off the power at fuse or circuit box.**

1. Secure the Mounting Plate (Part DD) to the Junction box (recessed into ceiling) by tightening 2 pcs Machine Screws (Part BB). (Figure 2)
2. Holding the fixture in an angle depend on the fixation between the Mounting plate (Part DD) and the Supportor (Part A) . (Figure 3)
3. Make wires connection in accordance with local codes by using the Wire Nuts (Part CC) to secure wiring connection. (Figure 3)
4. Rotating the fixture to match the Supportor (Part A) and the Mounting Plate (Part DD) and slide the fixture left. (Figure 4)
5. Tighten the Machine Screws (Part AA).(Figure 5)
6. Turn on the power at fuse or circuit box.

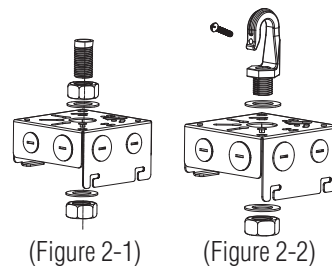


### OPTION WAY 2 : Pendant Mounted

Instead of WAY 1, WAY 2 is pendant mounted by a suspender. showed as Figure 2-1.

### OPTION WAY 3 : Suspended Mounted

Instead of WAY 3, WAY 3 is Suspended mounted by lifting hook. showed as Figure 2-2

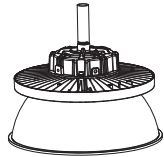




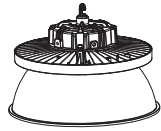


# LED Highbay Round

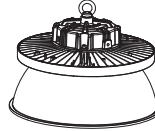
## OPTION 1: LED Round Power Supply



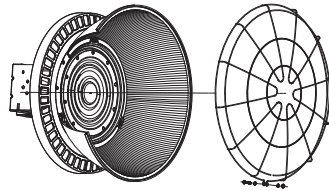
Pendant Mounted



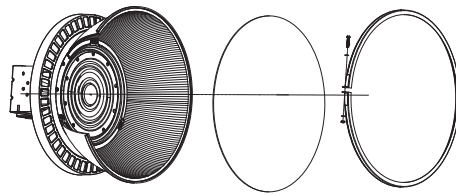
Suspended Mounted



## Accessories OPTION 1: Cover + Iron Gauze

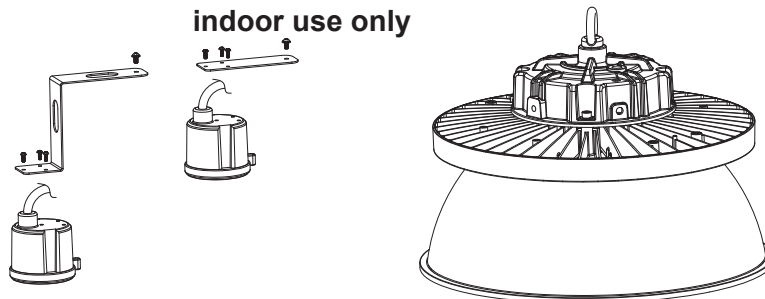


## Accessories OPTION 2: Cover + Clear Lens



CPS PART#  
CPS-HBL-ACRYLIC

## Accessories OPTION 3: IP65 Microwave Motion Sensor

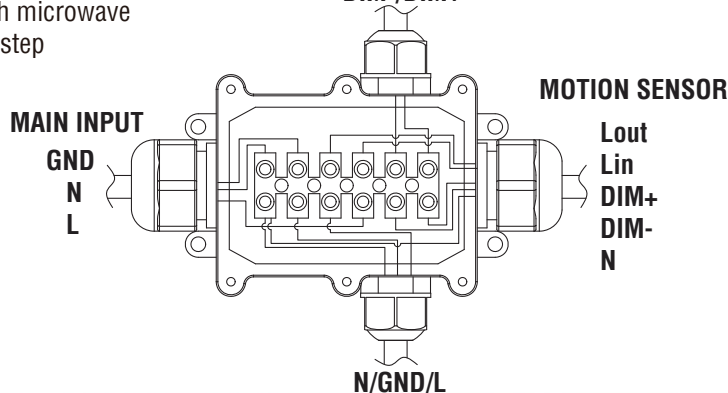
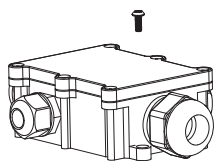


## Accessories OPTION 4: IP65 Junction Box

The wiring scheme is suitable for 1-10V dimmable power supply with microwave motion sensor to achieve 3-step dimming function.

FROM DIMMABLE LUMINAIRE  
DIM-/DIM+

CPS PART#  
CPS-HBL-JB



LM79  
LM80

