

## SPECIFICATIONS

UL, CUL CERTIFICATE

IP65 INTERNAL DRIVER , INPUT VOLTAGE 200-480V

NO UV OR IR IN THE BEAM

EASY TO INSTALL AND OPERATE

LONG LIFESPAN

INSTANT START, NO FLICKERING, NO HUMMING

GREEN AND ECO-FRIENDLY WITHOUT MERCURY



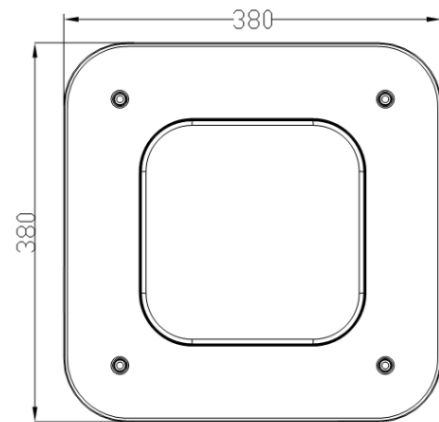
## APPLICATIONS

GAS STATIONS

SERVICE STATIONS

UNDERGROUND PARKING LOT

GARAGE



Net Weight: 6.3 kg / pc

CPSLED.COM + 843.407.6803 + SALES@CPSLED.COM



# 130W CANOPY LIGHT

## ORDER INFORMATION

SERIES	WATTAGE	VOLTAGE	HOUSING	MOUNT	KELVIN
		UL = 200-480V	COLOR W=WHITE	SM=SURFACE MT. TM= THREAD MT.	50 = 5000K
CPS-CL-RM-	130W-	UH-	W-	SM-	40
				TM-	50
EXAMPLE: CPS-CL-RM-130W-UH-W-SM-50					

## TECHNICAL CHARACTERISTICS

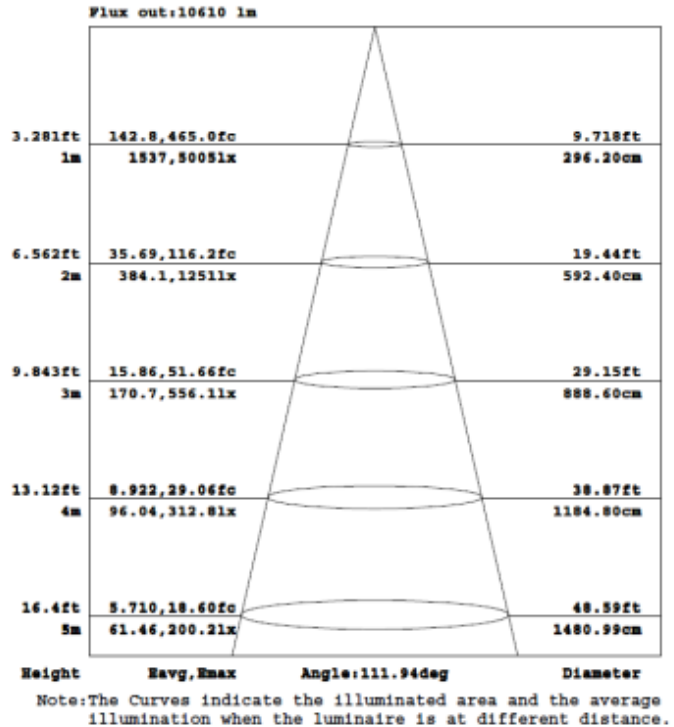
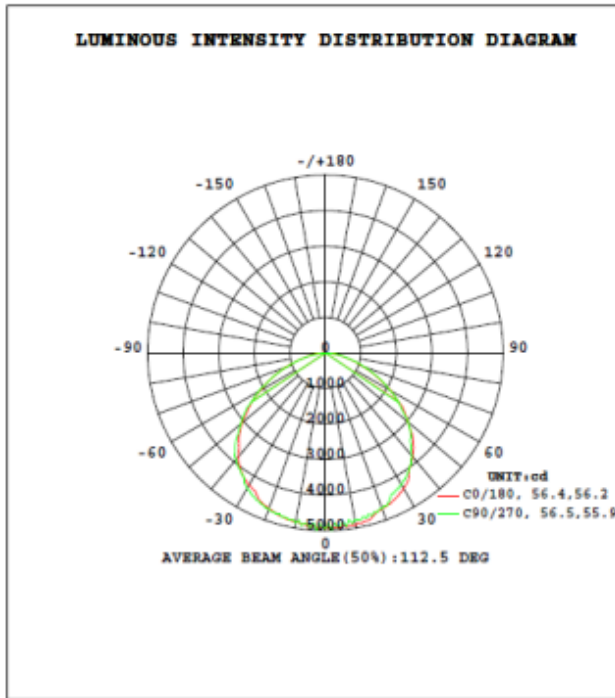
COLOR TEMPERATURE	4000K, 5000K
INPUT VOLTAGE	200-480V 50/60Hz
LUMENS	13000-14300 LM
LUMEN EFFICIENCY	110 LM/W
WATERPROOF RATING	IP65
CRI	>70
PFC	>0.9
VIEWING ANGLE	110°
OPERATING TEMPATURE	~20°C TO 45°C
OPERATING HUMIDITY	20%-90% RH
STORAGE TEMPERATURE	~30°C TO 80°C
STORAGE HUMIDITY	10%-95%
APPLICATION	INDOOR/OUTDOOR
PRODUCT DIMENSION	380 x 380 x 78 mm
L70 LIFE	PROJECTED 100,000 HOURS
WARRANTY	7 YEARS

## MATERIALS

HOUSING	ALUMINUM
HOUSING COLOR	WHITE

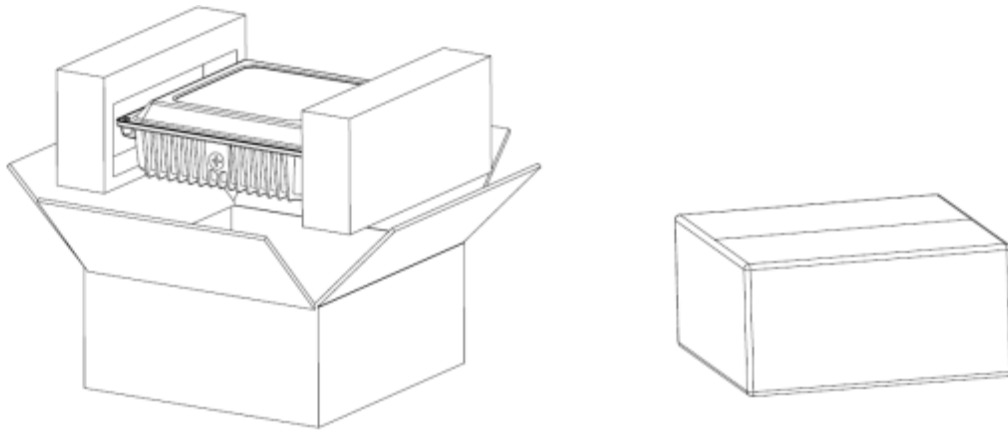
## PHOTOMETRIC:

DATA OF LAMP		PHOTOMETRIC DATA    Eff: 107.24 lm/W			
MODEL		I <sub>max</sub> (cd)	5008	S/MH(C0/180)	1.31
NOMINAL POWER(W)	130	LOR(%)	100.0	S/MH(C90/270)	1.30
RATED VOLTAGE(V)	120	TOTAL FLUX(lm)	14146	η UP, DN(C0-180)	0.1, 49.5
NOMINAL FLUX(lm)	14145.6	CIE CLASS	DIRECT	η UP, DN(C180-360)	0.1, 50.3
LAMPS INSIDE	1	η up(%)	0.2	CIBSE SHR NOM	1.25
TEST VOLTAGE(V)	120.0	η down(%)	99.8	CIBSE SHR MAX	1.35



## PACKAGING

	SIZE	QTY/ CARTON	NET WEIGHT/ CARTON
OUTER BOX	425*420*120 MM	1 PC	7.2 KG



### NOTICE FOR USER:

Please turn off power before install or change assembly parts.

The input voltage and lamps should be matched, after connecting the power line.

Please make sure the wiring section is insulated.