



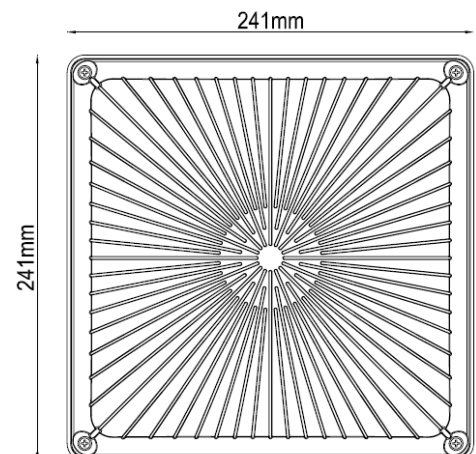
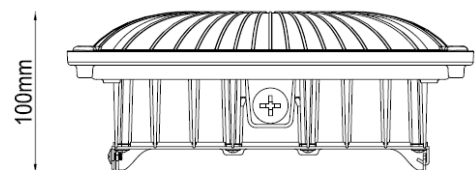
NAME: LED Parking Garage Light

P/N: CPS-CL-GL-35W-UL-F-40,

CPS-CL-GL-35W-UL-F-50

Advantage

- UL cUL DLC certificate
- High CRI
- IP65 Internal driver, Input voltage 100-277Vac
- No UV or IR in the beam
- Easy to install and operate
- Energy saving, Long life span
- Light is soft and uniform, Safe to eyes
- Instant start, NO flickering, NO humming
- Green and eco-friendly without mercury.



Application

- ◆ Widely used in underground parking lot, garage and so on.

Product Specifications

Product name	LED Parking Garage Light
Part No	CPS-CL-GL-35W-UL-F-40, CPS-CL-GL-35W-UL-F-50
Dimension	241 x 241 x 100 mm

Technical Characteristic

Color temperature	4000K	5000K
CRI	>70	
Lumen	3600 - 3900LM	
Input Power	35W	
Viewing Angle	150°	
Input Voltage	100-277Vac 50/60Hz	
L70 Life	> 50,000 hours	
PF	>0.9	
Waterproof Rating	WET (IP65)	

Materials

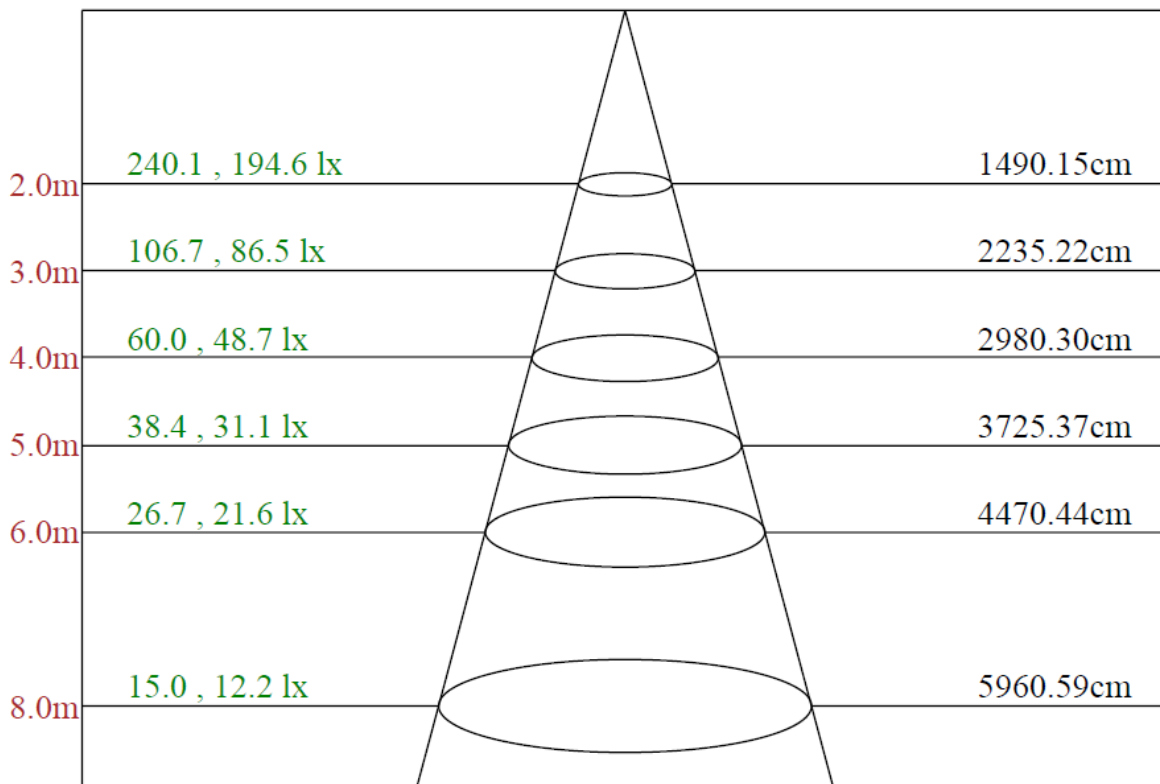
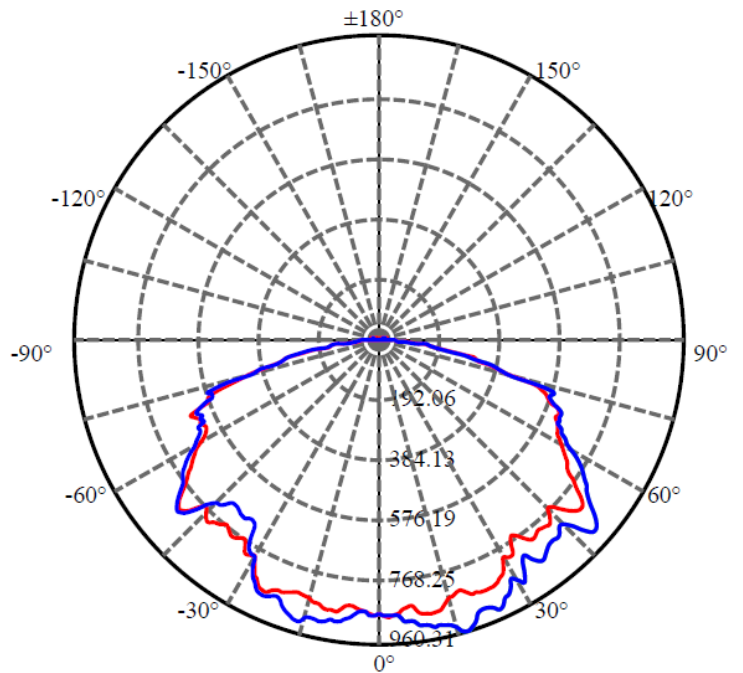
LED QTY	49 PCS
Housing	Aluminum
Housing color	White
Cover	Stripe lens

Others

Operating Temperature	-20°C TO 45°C
Operating Humidity	20%-90% RH
Storage Temperature	-30°C TO 80°C
Storage Humidity	10%-95%
Application	Indoor / Outdoor
Safety Certification	UL、cUL、DLC
Warranty Time	10 Years

Light Distribution Testing Parameters

Lumens(lm): 3754.61
 Efficiency(%): 0.00%
 Lumens(lm)/Power(W): 113.09
 Central intensity(cd): 865.340
 Maximum intensity(cd): 960.315
 Angle of maximum intensity: C=90.0 γ =17.0
 Beam Angle(50%Imax): [C0/180]Total=149.2
 [C90/270]Total=148.7
 Field angle(10%Imax): [C0/180]Total=171.5
 [C90/270]Total=170.9
 Maximum s/h(1/2): C0_180=1.35 C90_270=1.53
 Maximum s/h(1/4): C0_180=1.69 C90_270=1.75
 Up flux rate of lamp(%): 0.00%
 Down flux rate of lamp(%): 0.00%
 Up flux rate of LUM(%): 0.75%
 Down flux rate of LUM(%): 99.25%
 CIE Type : Direct lighting
 Output flux ratio in π solid angle : 67.484%

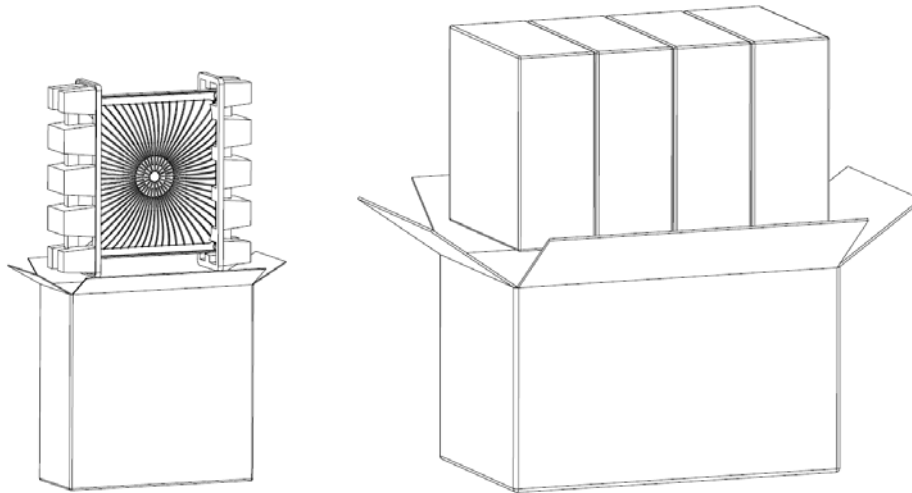


Max , Ave Beam angle of C90plane149.94

Package

Lamps Net Weight: 2 kg / pc

	Size	Qty/Carton	Weight/Carton
Inner box	290 x 120 x 295 mm	1	2.4 kg
Outer box	510 x 315 x 305 mm	4	10.8 kg



Notice For User

- ◆ Please turn off power before install or change assembly parts.
- ◆ The input voltage and lamps should be matched, after connecting the power line.
Please make sure the wiring section is insulated.
- ◆ Non-professionals, must not install and disassemble the lamps.