

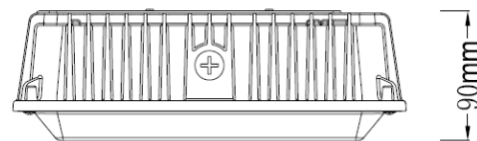
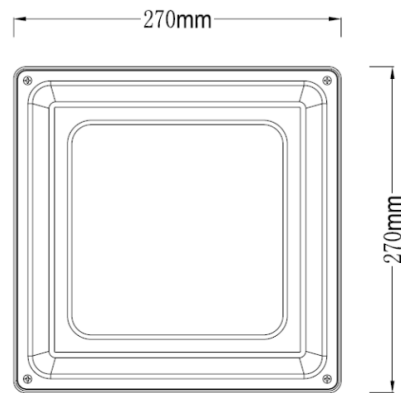
SPECIFICATIONS

UL, CUL CERTIFICATE
IP65 INTERNAL DRIVER , INPUT VOLTAGE 100-277 VAC
NO UV OR IR IN THE BEAM
EASY TO INSTALL AND OPERATE
LONG LIFESPAN
INSTANT START, NO FLICKERING, NO HUMMING
GREEN AND ECO-FRIENDLY WITHOUT MERCURY



APPLICATIONS

GAS STATIONS
SERVICE STATIONS
UNDERGROUND PARKING LOT
GARAGE



Net Weight: 3.5 kg / pc

CPSLED.COM + 843.407.6803 + SALES@CPSLED.COM



45W CANOPY LIGHT

ORDER INFORMATION

SERIES	WATTAGE	VOLTAGE	HOUSING	MOUNT	KELVIN
		UL = 110-277V	COLOR W=WHITE	SM=SURFACE MT. TM= THREAD MT.	50 = 5000K
CPS-CL-EM-	45W-	UL-	W-	SM-	40
				TM-	50

EXAMPLE: CPS-CL-EM-45W-UL-W-SM-50

TECHNICAL CHARACTERISTICS

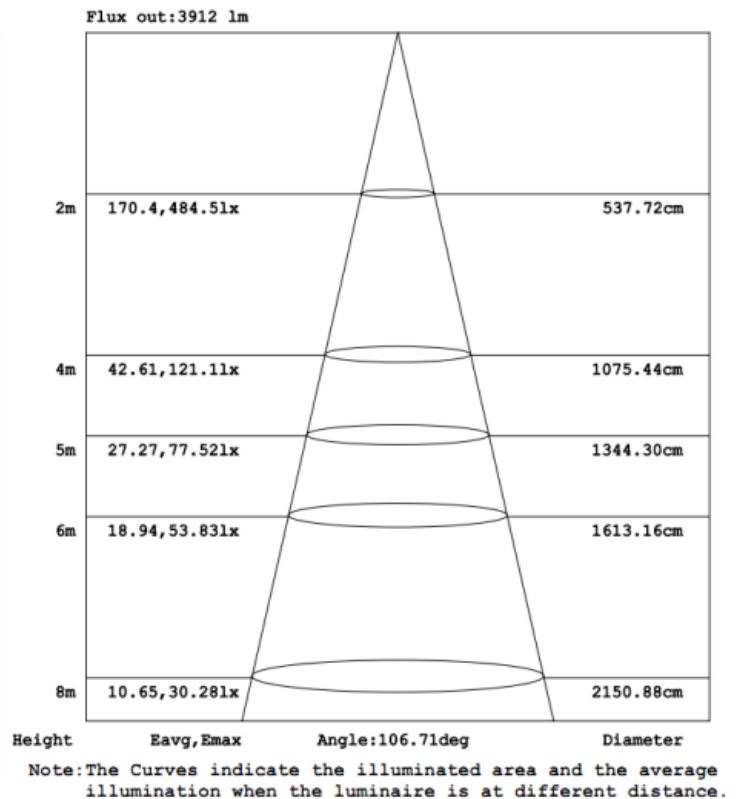
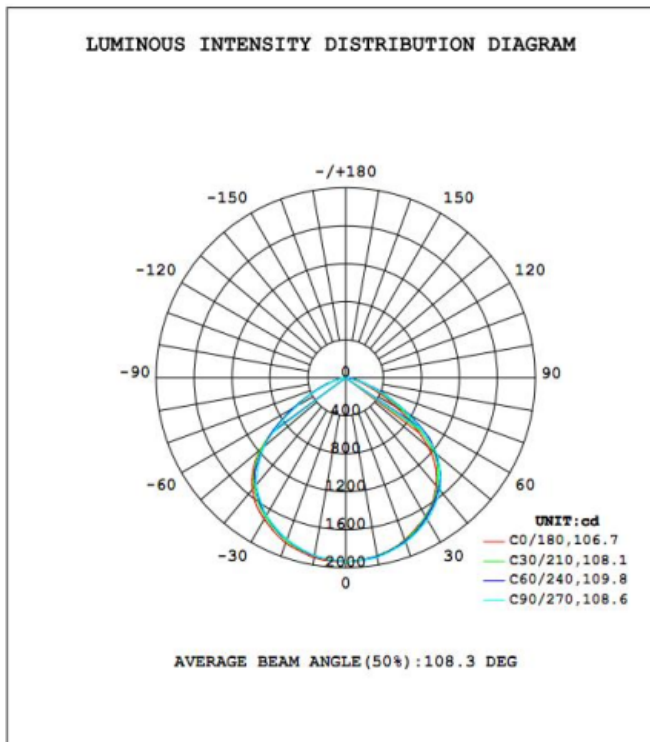
COLOR TEMPERATURE	4000K, 5000K
INPUT VOLTAGE	100-277 VAC 50/60Hz
LUMENS	4500-5500 LM
LUMEN EFFICIENCY	110 LM/W
WATERPROOF RATING	IP65
CRI	>80
PFC	>0.9
VIEWING ANGLE	120°
OPERATING TEMPERATURE	~20°C TO 45°C
OPERATING HUMIDITY	20%-90% RH
STORAGE TEMPERATURE	~30°C TO 80°C
STORAGE HUMIDITY	10%-95%
APPLICATION	INDOOR/OUTDOOR
PRODUCT DIMENSION	270 x 270 x 90 mm
L70 LIFE	PROJECTED 100,000 HOURS
WARRANTY	7 YEARS

MATERIALS

HOUSING	ALUMINUM
HOUSING COLOR	WHITE

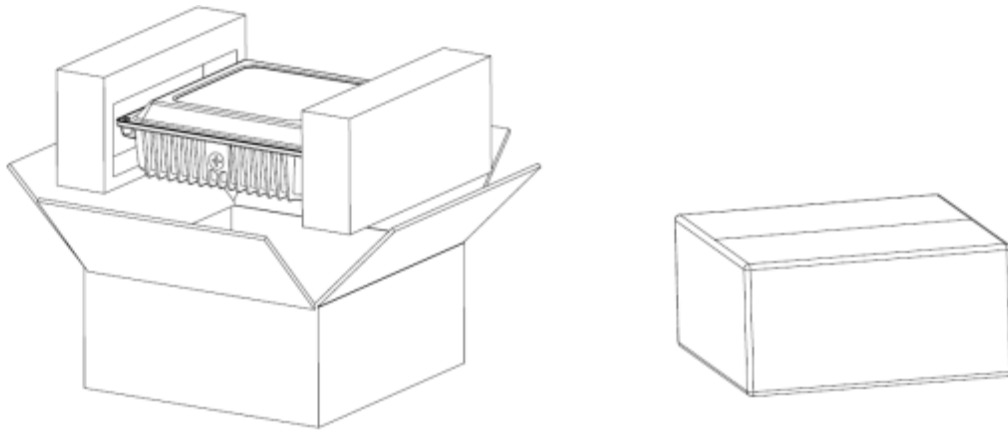
PHOTOMETRIC:

DATA OF LAMP		PHOTOMETRIC DATA				Eff: 116.52 lm/W
MODEL	45W	I _{max} (cd)	1938	S/MH (C0/180)		1.32
NOMINAL POWER (W)	45	LOR (%)	100.0	S/MH (C90/270)		1.28
RATED VOLTAGE (V)	120	TOTAL FLUX (lm)	5050.8	η UP, DN (C0-180)		0.0, 51.5
NOMINAL FLUX (lm)	5050.8	CIE CLASS	DIRECT	η UP, DN (C180-360)		0.0, 48.5
LAMPS INSIDE	1	η up (%)	0.0	CIBSE SHR NOM		1.50
TEST VOLTAGE (V)	120	η down (%)	100.0	CIBSE SHR MAX		1.50



PACKAGING

	SIZE	QTY/ CARTON	NET WEIGHT/ CARTON
OUTER BOX	320*320*160 MM	1 PC	4.3 KG



NOTICE FOR USER:

Please turn off power before install or change assembly parts.

The input voltage and lamps should be matched, after connecting the power line.

Please make sure the wiring section is insulated.