

CPS LED LIGHTING



PRODUCT NAME : TUNABLE HIGH BAY
PRODUCT SKU EX: CPS-HBTT-100/120/150W-UL-3050

PRODUCT DESCRIPTION

Tunable wattage and color gives less sku's with more options. Two sku's that cover a multitude of needs. A new sleek design with 145 lm/w fixture efficacy and high performance. Sensor and mounting options available. IP65 & IK10 rated.

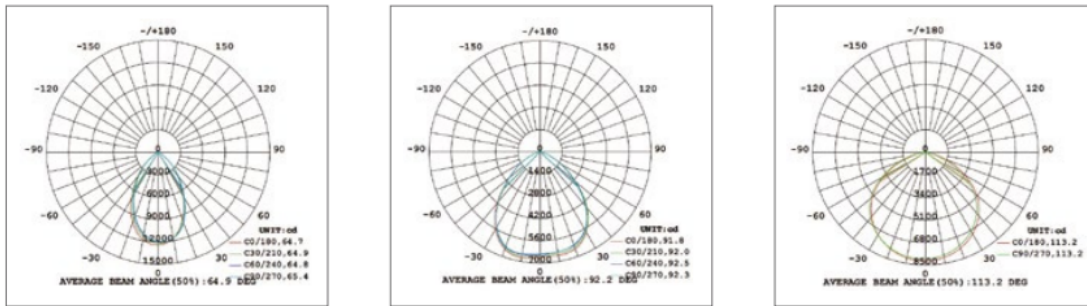
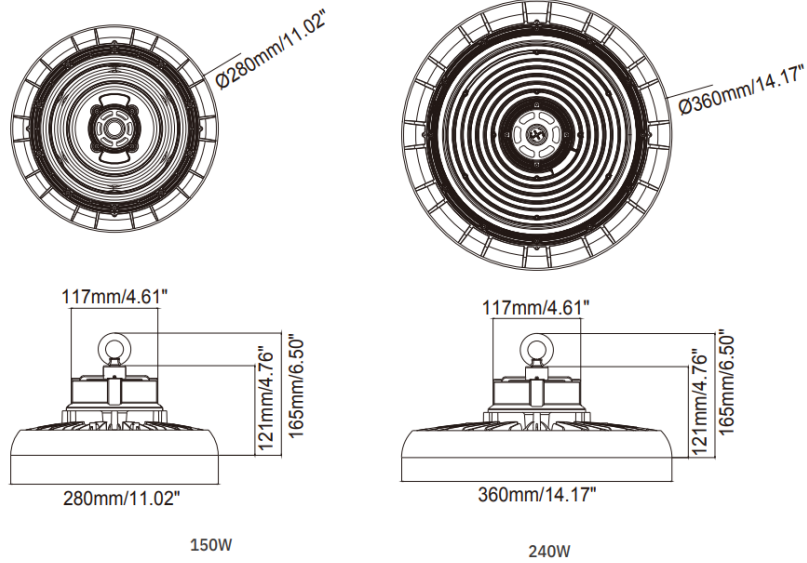
APPLICATIONS
Government facilities, Industrial facilities, Warehouses, Steel mills, Paper mills.

ORDERING INFORMATION			
SERIES	WATTAGE	VOLTAGE	CCT
CPS-HBTT-	100/120/150W-	UL-	3050
CPS-HBTT-	200/220/240W-	UL-	3050

CERTIFICATIONS & RATINGS
IP65
DLC: yes
UL: yes
ETL: no
NSF: no
CPS RECOMMENDATIONS:
EMB: available
CONTROL: available
SENSOR: available

SPECIFICATIONS
LM/W: 145
Warranty: 5 years
CRI: 80
Temperature Rated: -40~+40°C
Dimming: 0-10V
Voltage: UL = 120-277V, UH=277-480V
Lens/Housing: Aluminum alloy, clear polycarbonate lens
CCT: 3000K, 4000K, 5000K
Beam Angle: 60°, 90°, 120°
Lumens: 100W/120W/150W (14500LM/ 17400LM/ 21750LM)

DIMENSIONS & PHOTOMETRICS



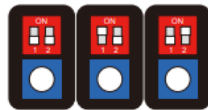
60°

90°

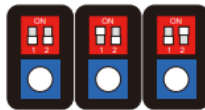
120°



Watt Select:



240W 220W 200W



150W 120W 100W

CCT Select:



5000K 4000K 3000K