

CPS LED LIGHTING

Applications:

Shops

Retail

Medical

Industrial

Commercial

Lumen Smart Strip Fixture



The small size of the lumen smart makes it an ideal choice for size restricted architectural applications. The Lumen Smart Strip can be the illumination solution in commercial, industrial, retail and residential applications.

ORDER INFORMATION

| SERIES | LENGTH (FT) | WATTAGE | VOLTAGE UL=120-277V | LENS F=FROSTED | COLOR TEMP 50=5000K |
|-------------------------------------|-------------|---------|------------------------|-------------------|------------------------|
| CPS-LS-STR | 2 | 20W | UL | F | 50 |
| | 4 | 30W | UL | F | 50 |
| | 8 | 65W | UL | F | 50 |
| EXAMPLE: CPS-LS-STR-2-20W-UL-F-50 | | | | | |
| DLC Model# CPS-LS-STR-2-20W-UL-F-50 | | | | | |

SPECIFICATIONS

External driver ensures steady performance and long lifespan

Continuous dimming, can dim up to 10%

Built for use in size restricted areas

Suitable for damp locations

Several mounting options including surface, pendant and suspending mounting

Variety of mounting options



PSL LI TI

S L S PSL .
. PSL .

CPS LED LIGHTING

TECHNICAL CHARACTERISTICS

| | |
|-----------------------|----------------------------|
| Color temperature | 5000K |
| Input voltage | AC120-277 50/60Hz |
| Lumen efficiency | 130 LM/W |
| Waterproof rating | Suitable for Damp Location |
| CRI | >80 |
| PFC | >0.9 |
| Operating temperature | -4°F to 122°F |
| Application | Indoor |
| L70 Life | Projected 100,000 hours |
| Warranty | 7 years |

DIMENSIONS

| | LENGTH | WIDTH | DEPTH |
|--------------------------|--------|-------|-------|
| CPS-LS-STR-2-20W-UL-F-50 | 24 | 3.35 | 3.56 |
| CPS-LS-STR-4-30W-UL-F-50 | 48 | 3.35 | 3.56 |
| CPS-LS-STR-8-65W-UL-F-50 | 96 | 3.35 | 3.56 |

CERTIFICATION AND PERFORMANCE INFORMATION

| | TEST VOLTAGE | ACTUAL WATTAGE | DLC RATED WATTAGE | DLC RATED LPW | DLC RATED LUMENS | CRI |
|--------------------------|--------------|----------------|-------------------|---------------|------------------|-----|
| CPS-LS-STR-2-20W-UL-F-50 | 120V | 63W | 65W | 130 | 8320 | >80 |
| CPS-LS-STR-4-30W-UL-F-50 | 120V | 31W | 32W | 132 | 4224 | >80 |
| CPS-LS-STR-8-65W-UL-F-50 | 120V | 18W | 20W | 130 | 2600 | >80 |

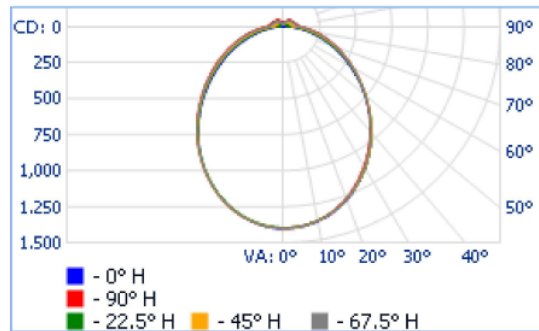


PSL L I T I

S L S PSL .
PSL .

CPS LED LIGHTING

Photometric:



| | Illuminance at a Distance | |
|------|---------------------------|-------------------|
| | Center Beam LUX | Beam Width |
| 0.7M | 3,145.05 LUX | 1.6M 1.7M |
| 1.3M | 786.26 LUX | 3.3M 3.4M |
| 2.0M | 349.45 LUX | 4.9M 5.1M |
| 2.7M | 196.57 LUX | 6.5M 6.8M |
| 3.3M | 125.80 LUX | 8.2M 8.5M |
| 4.0M | 87.36 LUX | 9.8M 10.2M |

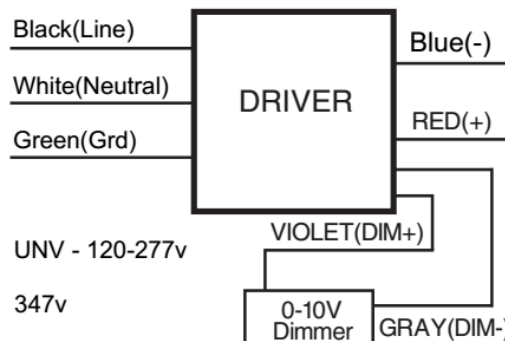
■ Vert. Spread: 101.7° ■ Horiz. Spread: 103.7°

Zonal Lumen Summary

| Zone | Lumens | % Luminaire |
|--------|----------|-------------|
| 0-30 | 1,057.4 | 26.5% |
| 0-40 | 1,701.5 | 42.7% |
| 0-60 | 2,906.3 | 72.9% |
| 60-90 | 829.3 | 20.8% |
| 70-100 | 459.3 | 11.5% |
| 90-120 | 156.3 | 3.9% |
| 0-90 | 3,935.7 | 93.7% |
| 90-180 | 253.1 | 6.3% |
| 0-180 | 41,088.8 | 100% |

Installation:

Wiring Diagram



Additional Accessories

- Highbay Motion Sensor
- Emergency Battery Back-up
- Surge Protector
- 0-10v Dimming
- Frost Lens



PSL LI TI

S L S PSL
PSL