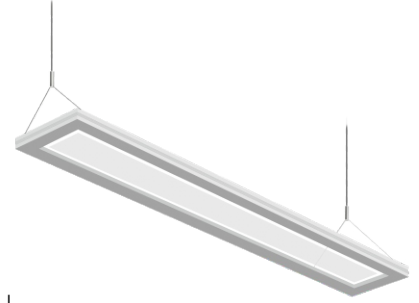


# CPS LED LIGHTING

## PRODUCT ORDERING GUIDE: DP SERIES

UP/DOWN LINEAR

SAMPLE:  
CPS-DP4-DM-50K



BASE MODEL:

DP/DE

LENGTH & WATTAGE

DP4 - 8" X 4' / 40W

DE14 - 1" X 4' / 54W

DP8 - 8" X 8' / 80W

DIMMING:

DM - 0-10V DIMMING

CCT:

40T (ONLY AVAILABLE FOR DP4)

30K

35K

40K

50K

TUNABLE / ADJUSTABLE

3000K

3500K

4000K

5000K

PENDANT ACCESSORY:

DRY SURFACE

FOR DROP CEILING / T GRID CEILING

CANOPY:

ROUND (2" & 4")

SQUARE (2" & 4")



CPS LED LIGHTING

843-407-6803

SALES@CPSLED.COM

WWW.CPSLED.COM

# CPS LED LIGHTING

Applications:

Offices

Hallways

Multipurpose Rooms

Conference Rooms

## Up/Down Linear: DP Series

### GENERAL SPECIFICATIONS

Offers a selection of professional lenses such as diffuser, louver, microreflector, and convex  
UL 8750 LED equipment in lighting products  
0-10V dimming type is continuous  
Standard powder coat white finish, optional silver, black, or custom colors.  
Product can dim to 10%  
Thermal overload protection shuts down luminaire when system temperatures exceed designed operating conditions  
Aluminum housing acts as heat sink to maximize life  
Several mounting options available  
cULus listed for damp locations  
In compliance with IES LM-80 testing measurements  
7 year limited warranty

### DIMENSIONS

PART NO.	LENGTH (IN)	WIDTH (IN)	DEPTH (IN)	WEIGHT (LBS)
CPS-DP4	47.24	7.87	0.94	11
CPS-DE14	47.24	11.81	1.06	11
CPS-DP8	94.48	7.87	0.94	25



CPS LED LIGHTING

843-407-6803

SALES@CPSLED.COM

WWW.CPSLED.COM

# CPS LED LIGHTING

## TECHNICAL CHARACTERISTICS

Model	DP4	DP4 (CCT Adjustable)	DE14	DP8
Dimensions	8"x4'	8"x4'	1'x4'	8"x8'
Efficacy	>115 LM/W >1150 LM/FT	>115 LM/W >1150 LM/FT	>105 LM/W >1417 LM/FT	>105 LM/W >1150 LM/FT
Input Power	40W	40W	54W	80W
Luminous Flux	>4600 LM	>4600 LM	>5670	>9200
100-277V AC Input	✓	✓	✓	✓
110-347V AC Input	✓	✓		✓
DLC CCT Options	3500K/4000K/5000K	CCT Adjustable 3000K/3500K/4000K	N/A	3500K/4000K/5000K

## TECHNICAL SPECIFICATIONS

Color temperature	3000K/3500K/4000K/5000K
Input voltage	AC120-277 50/60Hz
Lumen current	350mA
Lumens	6900-11500 LM
Lumen efficiency	115 LM/W
Lumen maintenance	87.80%
Waterproof rating	uCLus for damp location
CRI	>80
PFC	>0.9
Light distribution	Uplight 45%, Downlight 55%
THD	<20%
Driver	Class 2 high efficiency driver
Ambient temperature	32°F to 122°F
Mounting	Pendant, Individual, or Continuous Run
Application	Indoor
L70 Life	Projected 50,000 hours
Warranty	7 years



CPS LED LIGHTING

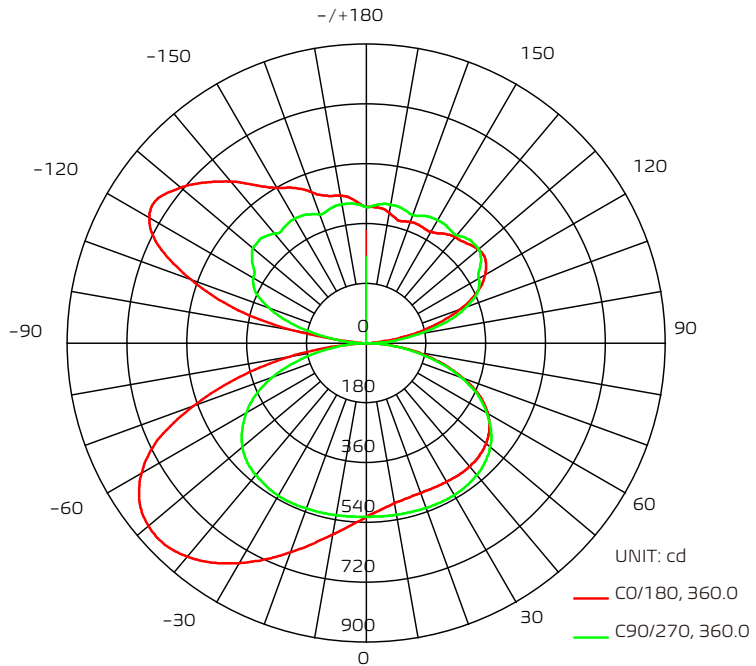
843-407-6803

SALES@CPSLED.COM

WWW.CPSLED.COM

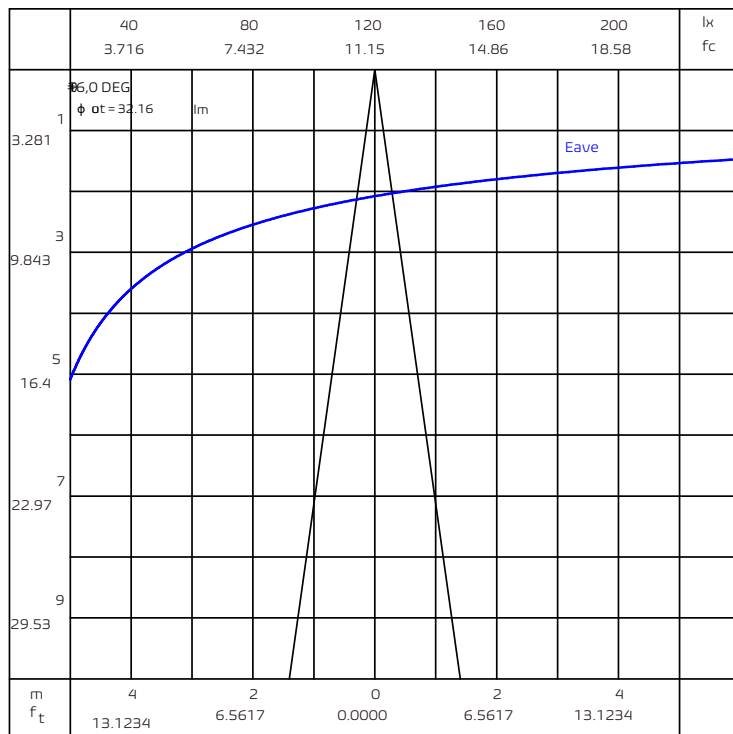
# CPS LED LIGHTING

## Distribution Diagram DP4



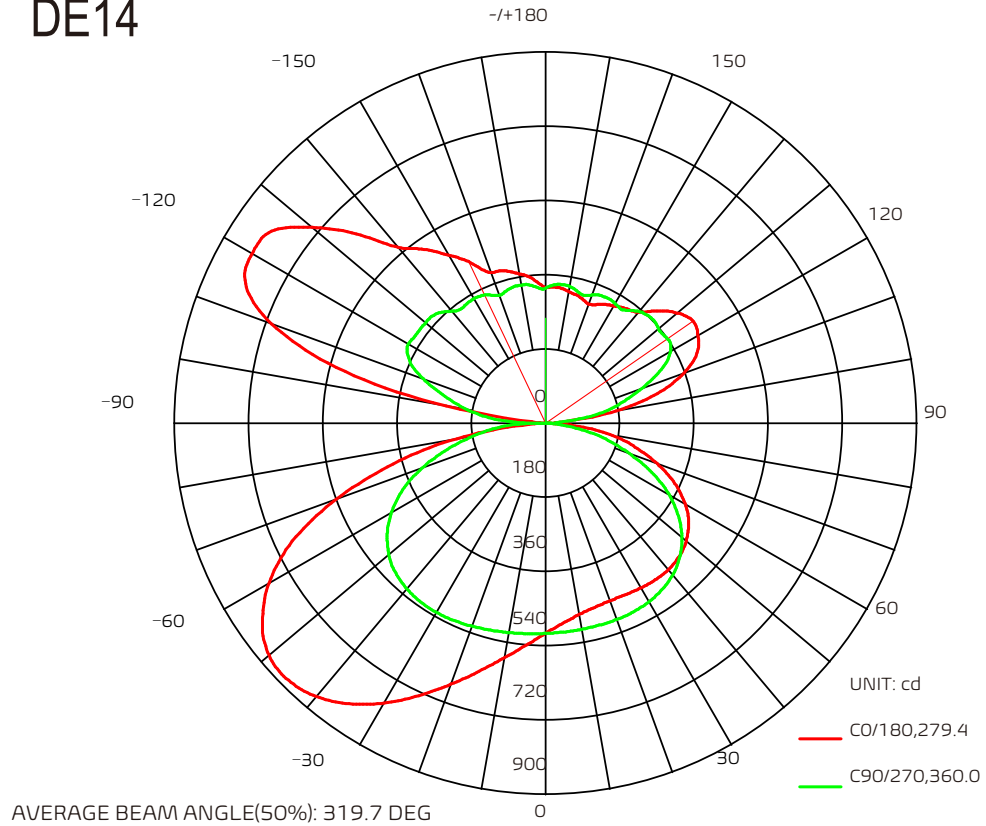
AVERAGE BEAM ANGLE(50%): 360.0 DEG

## Average Illuminance Curve

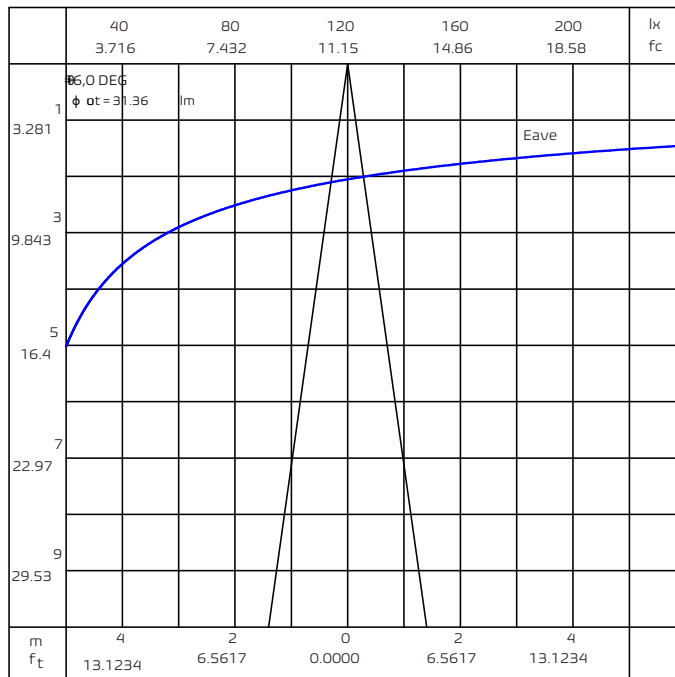


# CPS LED LIGHTING

## Distribution Diagram DE14



## Average Illuminance Curve



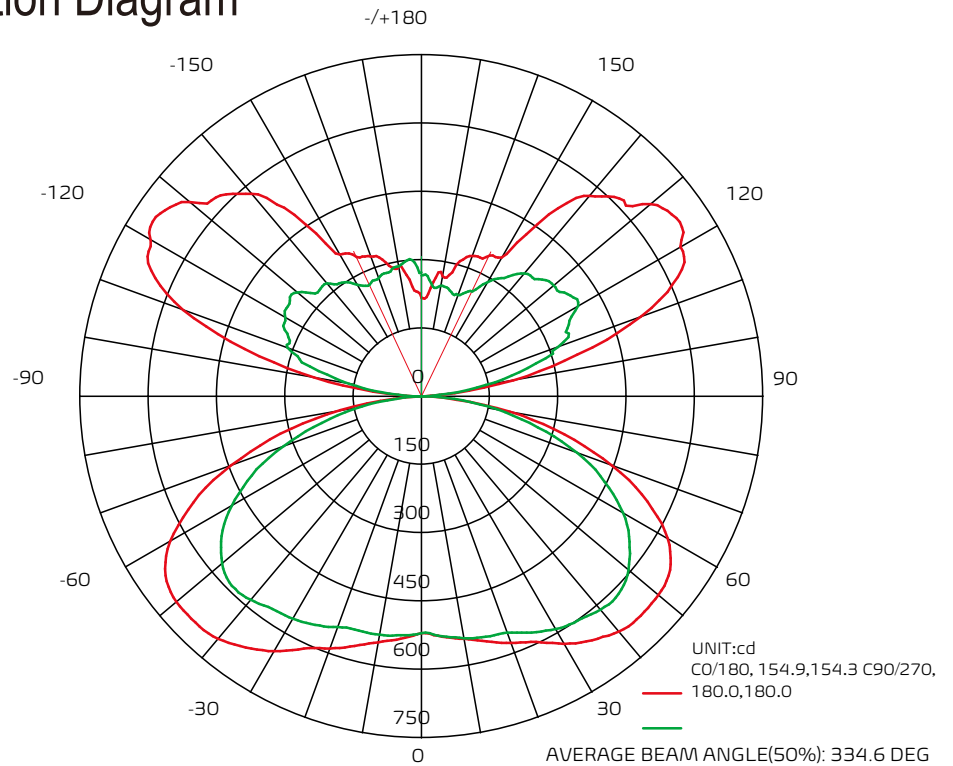
Note: The Curves indicate the illuminated area and the average illumination when the luminaire is at different distance.



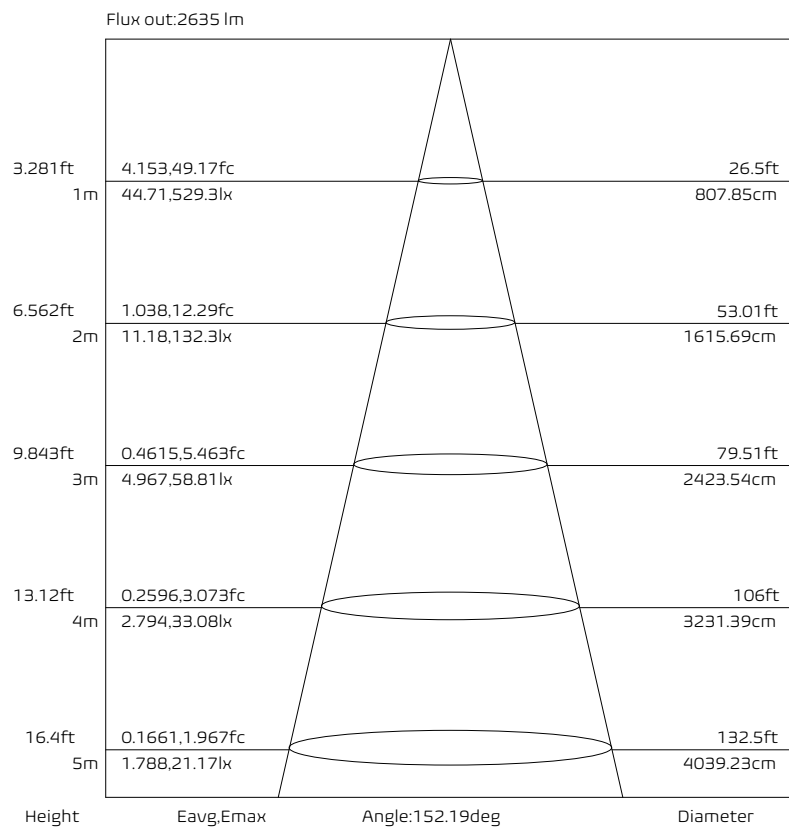
**CPS LED LIGHTING**  
843-407-6803  
SALES@CPSLED.COM  
WWW.CPSLED.COM

# CPS LED LIGHTING

## Distribution Diagram DP8



## Average Illuminance Curve



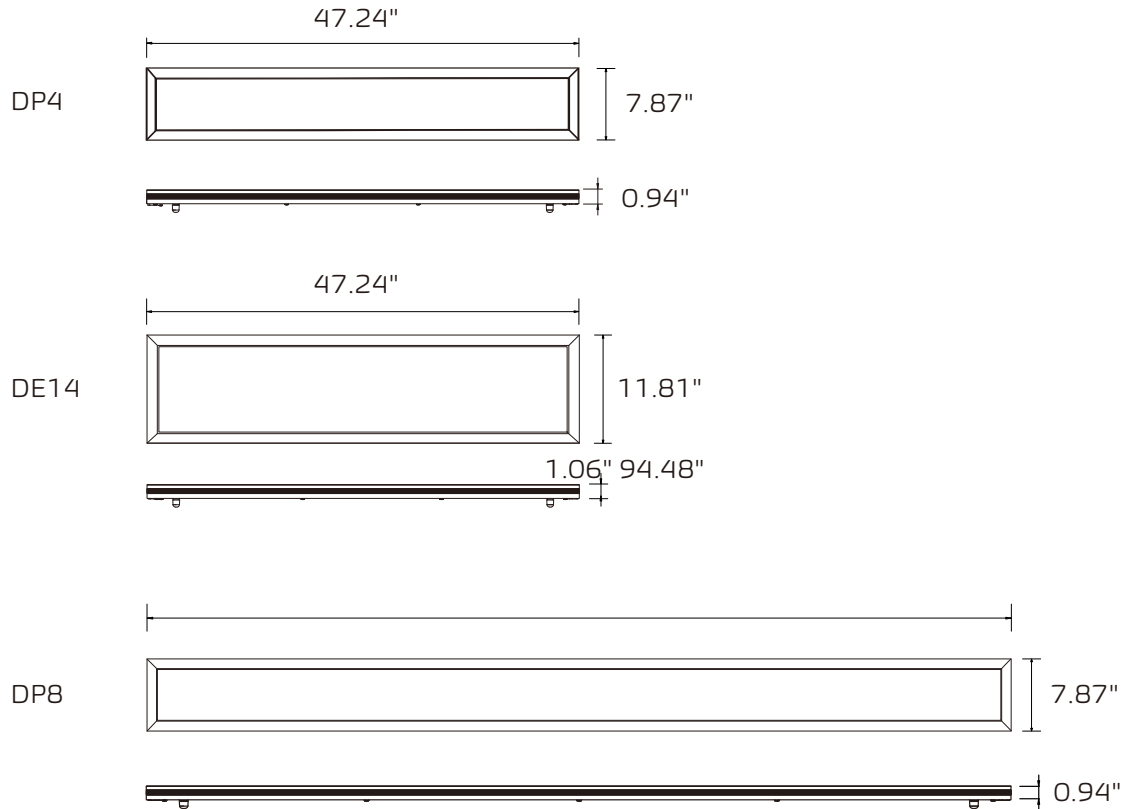
Note: The Curves indicate the illuminated area and the average illumination when the luminaire is at different distance.



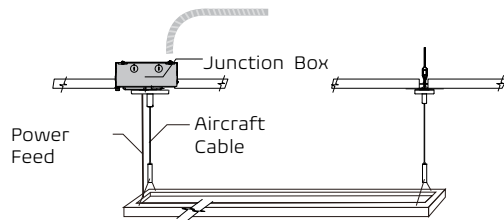
**CPS LED LIGHTING**  
 843-407-6803  
 SALES@CPSLED.COM  
 WWW.CPSLED.COM

# CPS LED LIGHTING

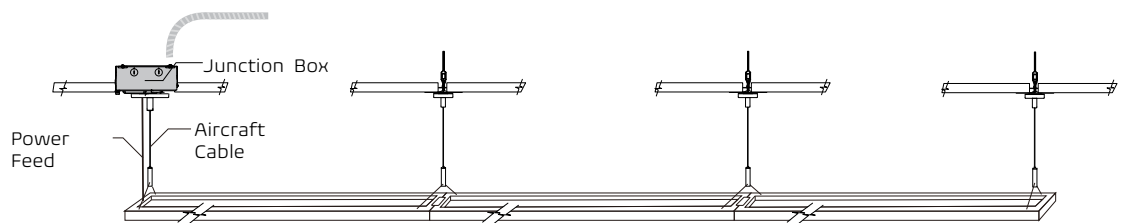
## Measurements



## Mounting



### Continuous Run



- DP4** Connect 9pcs together in 120V AC and 20pcs in 277V
- DE14** Connect 6pcs together in 120V AC and 15pcs in 277V
- DP8AC** Connect 4pcs together in 120V AC and 10pcs in 277V



**CPS LED LIGHTING**  
 843-407-6803  
 SALES@CPSLED.COM  
 WWW.CPSLED.COM